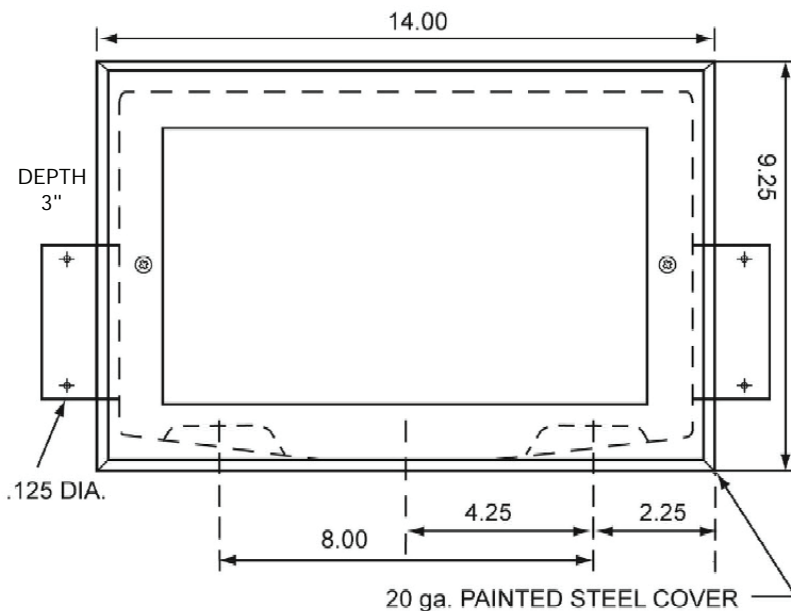
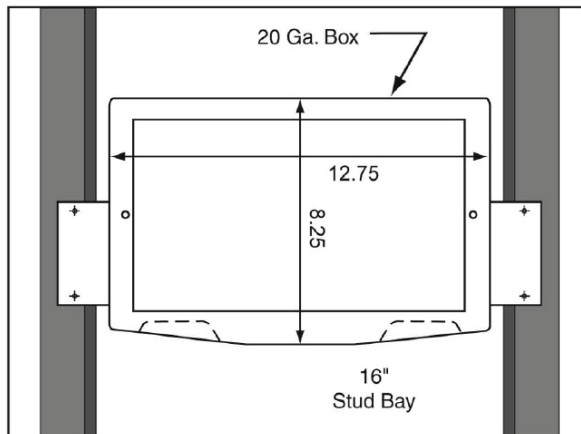
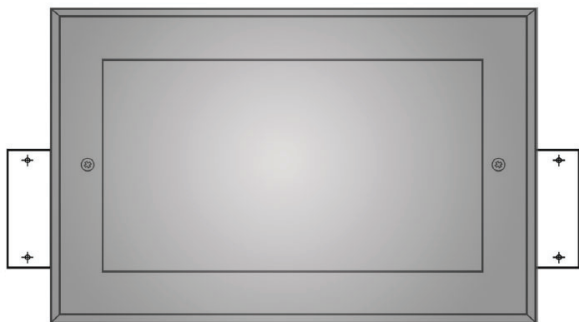




CENTER DRAIN WHITE COATED COLD ROLLED STEEL WMOB without Valves



Specifications:

Furnish and install center drain white powder coated cold rolled steel washing machine outlet box. Unit shall be Guy Gray product code checked below as manufactured by IPS Corporation.

Box Material:

White Powder Coat on Cold Rolled Steel Finish

Valve & Drain Options:

Box furnished without valves. 1-1/2" Slipnut, PVC or ABS or 2" Slipnut, PVC or ABS Drain kit included. Valves comply with ASME A112.18.1.

Item #	Product Description	Model #	Quantity
82134	Box w/o Valves, 1-1/2" Slipnut Drain Kit	T150LV	6
82140	Box w/o Valves, 2" Slipnut Drain Kit	T200LV	6
82131	Box w/o Valves, 1-1/2" PVC Drain Fitting	T150TPPVCLV	6
82137	Box w/o Valves, 2" PVC Drain Fitting	T200TPPVCLV	6
82132	Box w/o Valves, 1-1/2" ABS Drain Fitting	T150TPABSLV	6
82138	Box w/o Valves, 2" ABS Drain Fitting	T200TPABSLV	6

