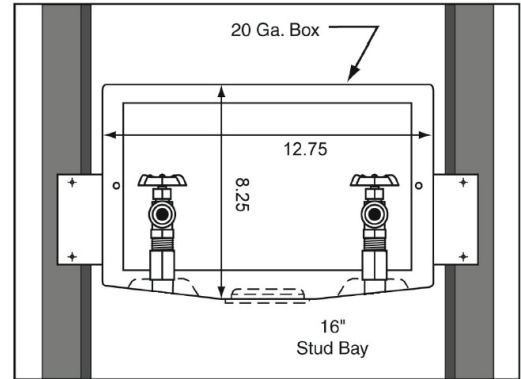
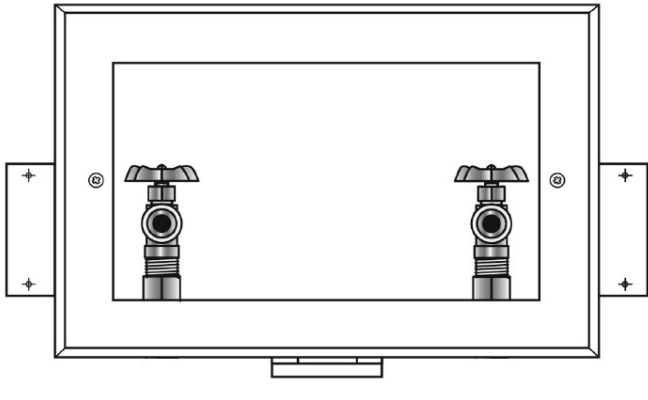


SPECIFICATION SUBMITTAL SHEET



**CENTER DRAIN WHITE POWDER COATED WMOB**  
with Domestic Valves



**Specifications:**

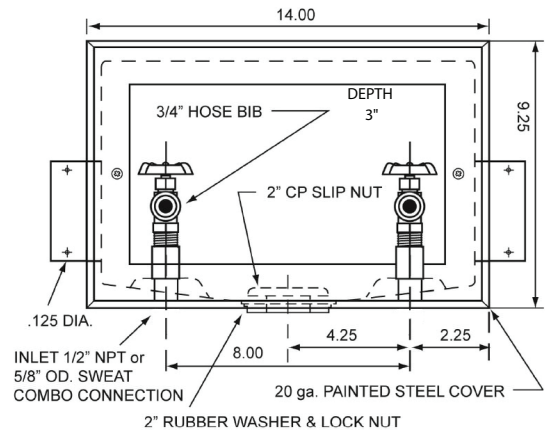
Furnish and install center drain white powder coated cold rolled steel washing machine outlet box with domestic valves. Unit shall be Guy Gray product code as manufactured by IPS Corporation.

**Box Material:**

White Powder Coat on Cold Rolled Steel Finish  
20 gauge box and 20 gauge faceplate

**Valve & Drain Options:**

Qtr. Turn Valve with 1/2" MIP/Sweat connection furnished. 2" Slipnut, PVC or ABS Drain kit included. Valves comply with ASME A112.18.1.



Item #	Product Description	Model #	Quantity
82133	1/2" MIP/Sweat Conx. Valve, 1-1/2" Slipnut Drain Kit	T150	6
82139	1/2" MIP/Sweat Conx. Valve, 2" Slipnut Drain Kit	T200	6
82129	1/2" MIP/Sweat Conx. Valve, 1-1/2" PVC Drain Fitting	T150TPPVC	6
82135	1/2" MIP/Sweat Conx. Valve, 2" PVC Drain Fitting	T200TPPVC	6
82136	1/2" MIP/Sweat Conx. Valve, 2" ABS Drain Fitting	T200TPABS	6

