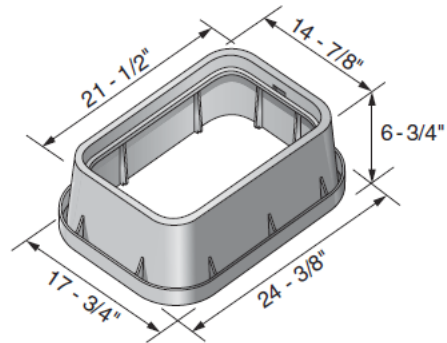
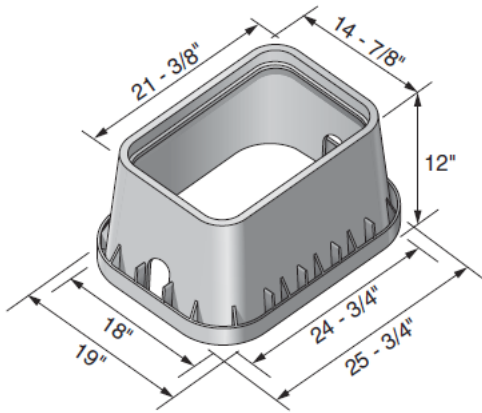
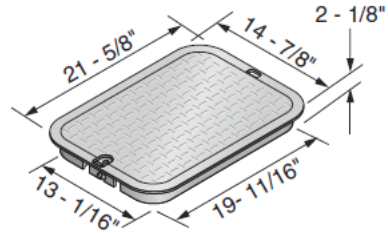




Rectangular Meter Box

**Specifications:**

Furnish and install Water-Tite rectangular meter box. 13"x20" rectangular meter boxes and covers are injection molded of recycled polyolefin material. The body shall be tapered and have a minimum wall thickness of .25". The body shall have a double wall at the top cover seat area with a minimum thickness of .250". The cover seat area shall have 16 structural support ribs on the underside of the seat, each with a minimum thickness of .250". The bottom of the body shall have a .500" flange. The cover shall have an average thickness of .250". Product shall be Water-Tite product code checked below as manufactured by IPS Corporation.



✓	Product Code #	Product Description	Model #	Units/ Case
	83367	13"x20"Rectangular box w/green overlapping lid	VB5	1
	83369	13"x20"x6"Extension	VB5X	1

