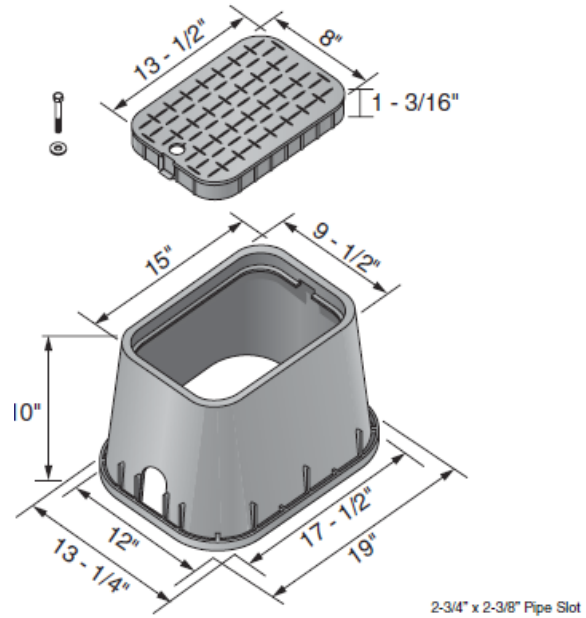




Rectangular Meter Box

**Specifications:**

Furnish and install Water-Tite rectangular meter box. 10"x15"x10" rectangular meter boxes and covers are injection molded of recycled polyolefin material. The body shall have a double wall at the top cover seat area with a minimum thickness of .20". The cover seat area shall have 12 structural support ribs on the underside of the seat, each with a minimum thickness of .130". The bottom of the body shall have a .500" flange. The cover shall have an average thickness of .187". Product shall be Water-Tite product code checked below as manufactured by IPS Corporation.



✓	Product Code #	Product Description	Model #	Units/Case
	83360	10"x15"x10" Rectangular box w/green drop-in lid	VB3	1

