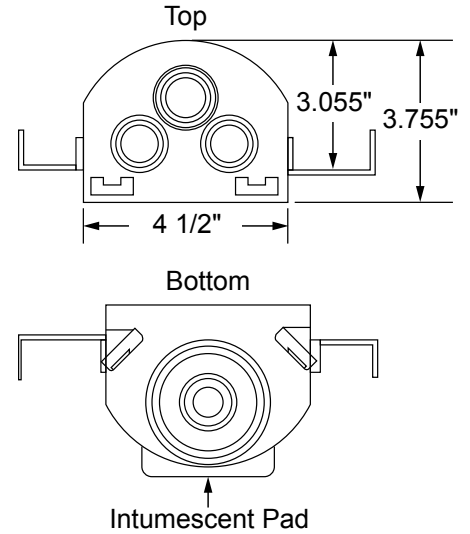
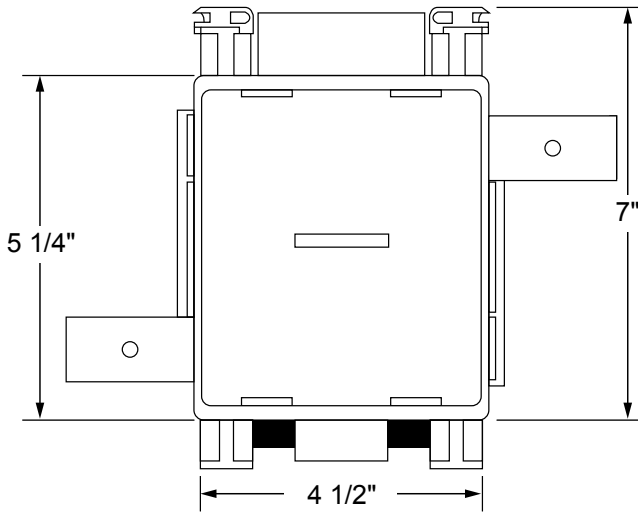




FR MultiBox™ Redi-Vent® Kit



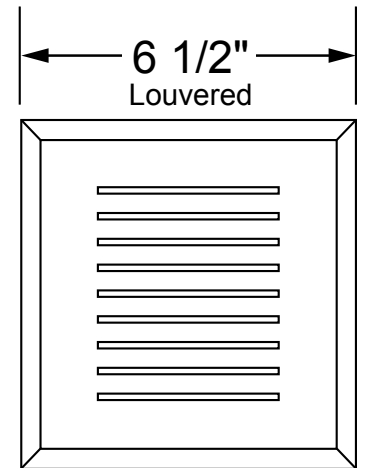
Specifications: Furnish and install fire-rated MultiBox with Redi-Vent Kit. Unit shall be Water-Tite product code checked below, as manufactured by IPS Corporation.

Box Material: PVC & Intumescent Pad

Studor® Redi-Vent: ANSI/ASSE 1050 and 1051

Available Accessories: 3 Universal Faceplates: Open, Solid and Louvered; Stabilizer Bar

Certifications: Valve complies with ANSI Z21/CSA9.1



Box

Boxes have been certified with the following ratings: ASTM E814, 1 Hr (F), 41 Min (T) and 2 Hr (F), 101 Min (T) CAN/ULC-S115-1 Hr (F/FH), 41 Min (FT/FTH) and 2 Hr (F/FH), 101 Min (FT/FTH)



Intertek
Control No. 5007032

Item #	Model #	Product Description	Quantity
83085	MBFRS1200AAV	FR MultiBox with Redi-Vent and Louvered Faceplate	10