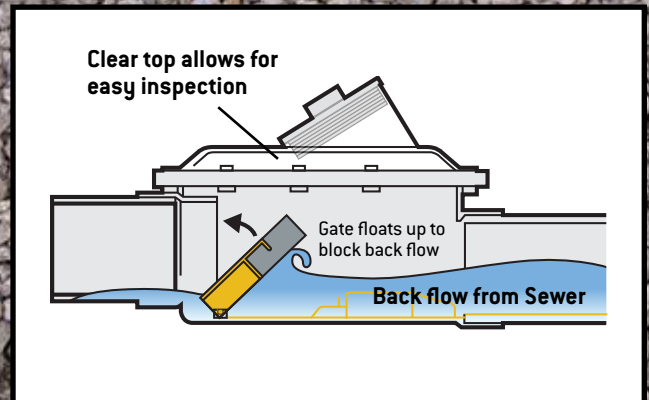
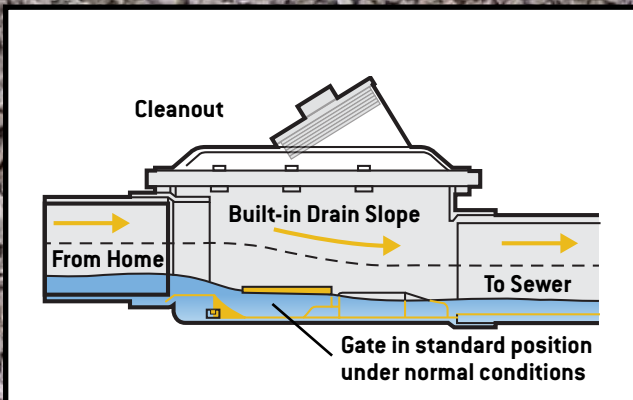


AB&A™

IPS CORPORATION

Full Port Backwater Valve

The only backwater valve with a clear cover that allows for easy inspection.



MAINLINE
BACKFLOW PRODUCTS

A Plumbing Solution from

AB&A™

IPS CORPORATION

Fullport Backwater Valve

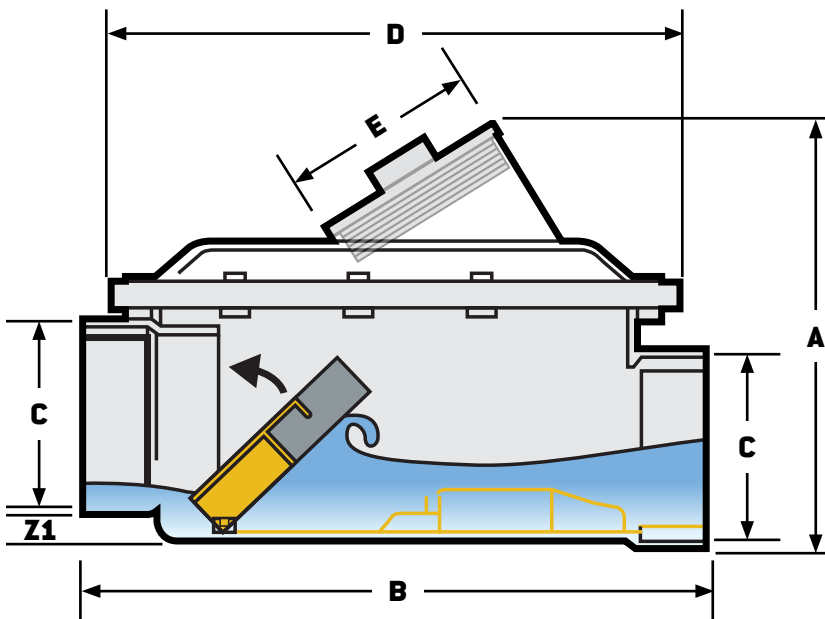
BACKWATER VALVE

The Fullport Backwater Valve has a patented 'normally open' design to allow for free circulation. The clear lid provides ease for visible inspections. The valve has a built-in main sewer cleanout for rodding and maintenance.

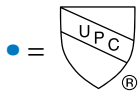


ACCESS BOX

The access box is a very useful accessory to the 4963 valve. Its dimensions of L: 20" W: 12 1/2" H: 16" provide access to the valve with ease.

**4" Mainline Gate****Clear Lid & Cleanout****Refurbish Kit Bolts / Gasket / O-ring****Fullport Backwater Valve Dimensions**

| | |
|----|---------|
| A | 11 1/2" |
| B | 15 1/4" |
| C | 4" |
| D | 13 1/2" |
| E | 5" |
| Z1 | 3/4" |



4" Fullport Backwater Valve

| | | |
|--|--------------|-------|
| 4" ABS Mainline Fullport Backwater Valve • | ABAML4963A | 66000 |
| 4" PVC Mainline Fullport Backwater Valve • | ABAML4963P | 66001 |
| 4" Mainline Gate | ABAPA4963G | 66100 |
| Clear Lid & Cleanout | ABAPA4963LCO | 66101 |
| Refurbish Kit Bolts / Gasket / O-ring | ABAPA4963RK | 66102 |

4" ML-FR4 Backwater Valve

| | | |
|---------------------------------------|--------------|-------|
| 4" Mainline Automatic Backwater Valve | ABAMLFR4 | 66002 |
| ML-FR4 Full Kit | ABAPA4FRFULL | 66103 |
| ML-FR4 External Kit | ABAPA4FREXT | 66104 |
| ML-FR4 Internal Kit | ABAPA4FRINT | 66105 |

Access Box

| | | |
|----------------------------|----------------|-------|
| 20 x 13 Plastic Access Box | ABAPE2013 | 66003 |
| Access Box lid | ABAPAPE2013LID | 66106 |

IPS
CORPORATION

500 Distribution Parkway, Collierville, TN 38017 • Phone: 800-888-8312 • Fax: 901-853-5008 • www.ipscorp.com

Copyright © 2019 by IPS Corporation

Mainline Full Port Flyer_ABAML4963A