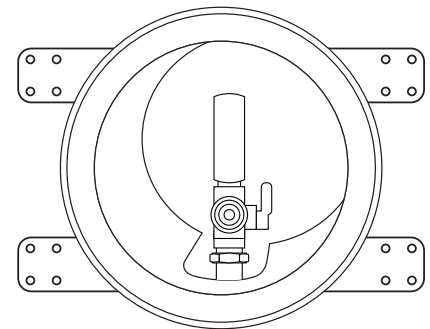
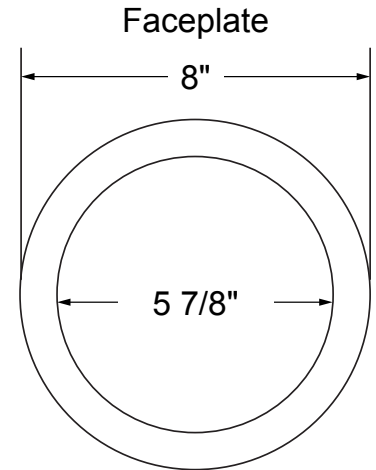
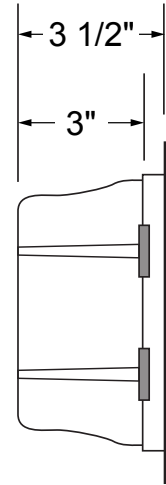
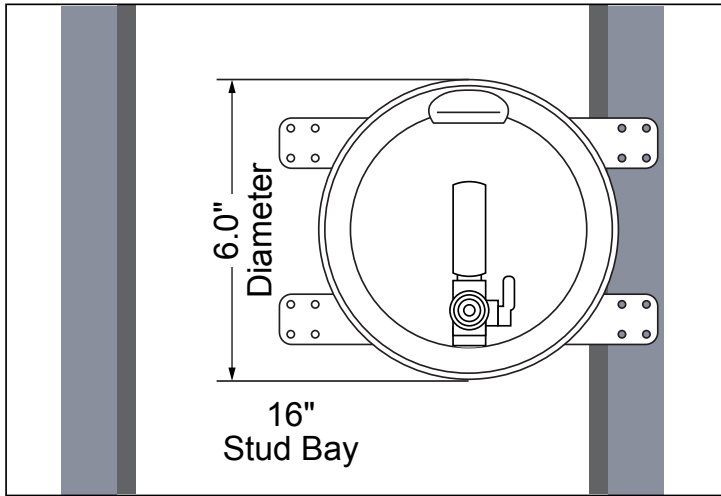




Lead Free Round Ice Maker Outlet Box with Quarter Turn Hammer Arresters



Specifications:

Furnish and install Water-Tite Round Ice Maker Outlet Box with Arrester Valve. Unit shall be Water-Tite product code as checked below, manufactured by IPS Corporation.

Product Code #	Model #	Product Description	Units/Case
88498	AB9911HACP	Lead Free Round Ice Maker Outlet Box w/Wirsbo Arrester Conn.	20
88490	AB9900HACP	Lead Free Round Ice Maker Outlet Box w/Sweat Arrester Conn.	20
88495	AB9902HACP	Lead Free Round Ice Maker Outlet Box w/PEX Arrester Conn.	20



500 Distribution Parkway, Collierville, TN 38017 ▪ Phone: 800-888-8312 ▪ Fax: 901-853-5008 ▪ www.ipscorp.com