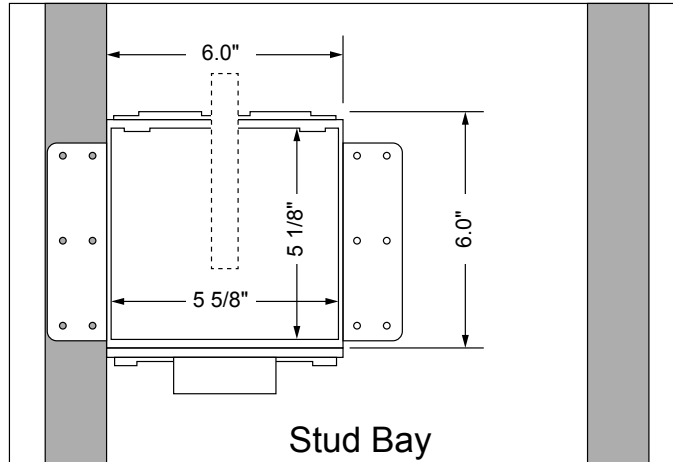
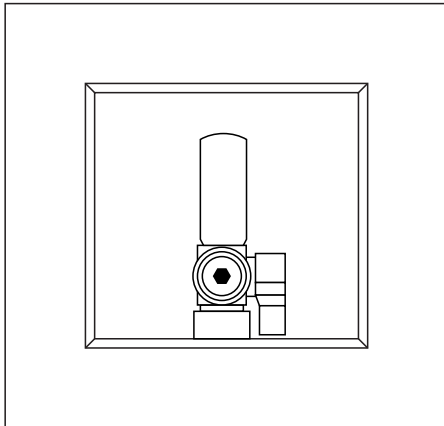




## FR-12 Plastic Ice Maker Outlet Box with Lead Free Quarter Turn Domestic Valve



**Specifications:**

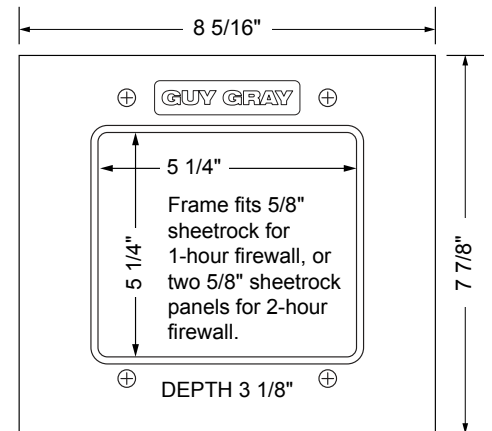
Furnish and install Guy Gray fire rated recessed ice maker outlet box. Unit shall have a lead free brass plated quarter-turn ball valve and integral hammer arrester. Unit shall be Guy Gray product code checked below as manufactured by IPS Corporation.

**Box Material:**

PVC Resin & Intumescent Pad attached

**Valve & Drain Options:**

Lead free Qtr Turn Arrester Valve with 1/2" MIP/Sweat, CPVC, Pex, Wirsbo®, or REHAU EVERLOC+™ connection and a 1/4" compression outlet. Valve complies with NSF/ANSI 372 (annex G) and the U.S. Safe Drinking Water Act.



Item #	Product Description	Model #	Quantity
82417	Lead Free Qtr Turn Arrester Valve, 1/2" Sweat Connection	FRIB12ABSHA	5
82419	Lead Free Qtr Turn Arrester Valve, CPVC Connection	FRIB12ABCHA	5
82421	Lead Free Qtr Turn Arrester Valve, PEX® Connection	FRI12ABPHA	5
82423	Lead Free Qtr Turn Arrester Valve, Wirsbo® Connection	FRIB12ABWHA	5
<b>CONTRACTOR PACKS</b>			
82418	Lead Free Qtr Turn Valve, 1/2" Sweat Connection	FRIB12ABSHACP	10
82420	Lead Free Qtr Turn Valve, CPVC Connection	FRIB12ABCHACP	10
82422	Lead Free Qtr Turn Valve, PEX® Connection	FRIB12ABPHACP	10
82424	Lead Free Qtr Turn Valve, Wirsbo® Connection	FRIB12ABWHACP	10
83375	Lead Free Qtr Turn Arrester Valve, 1/2" REHAU EVERLOC+™ Conx.	FRIB12ABRHACP	10



500 Distribution Parkway, Collierville, TN 38017 ▪ Phone: 800-888-8312 ▪ Fax: 901-853-5008 ▪ www.ipscorp.com