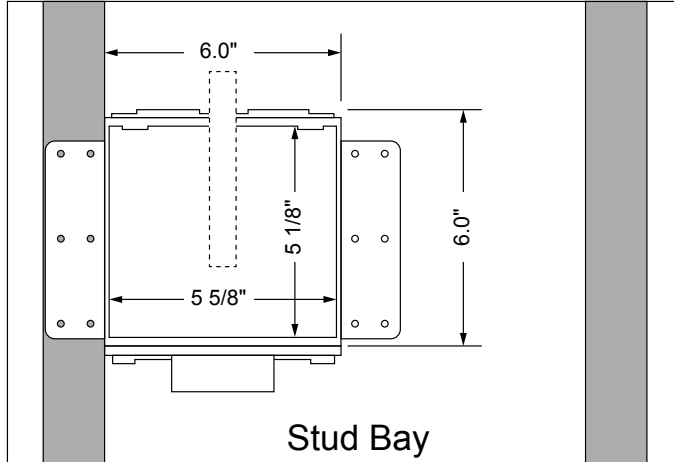
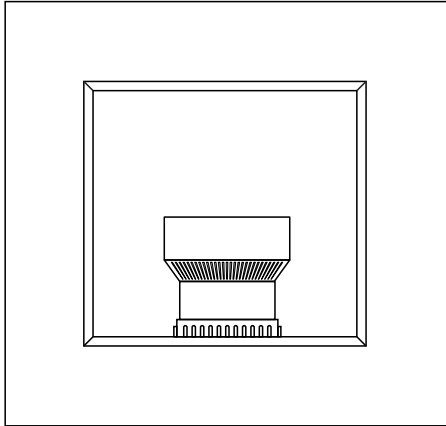




FR-12 Fire Rated AAV Recess Outlet Box

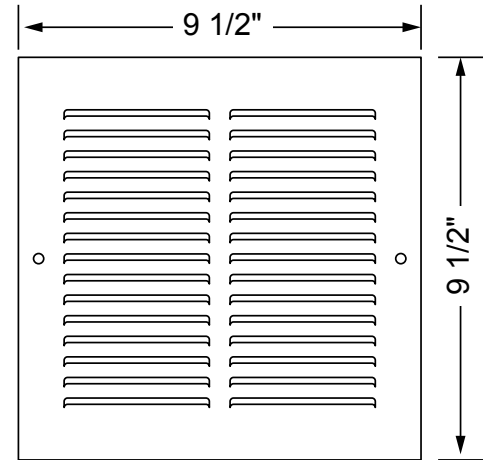


Specifications:

Furnish and install AAV recessed outlet box. AAV outlet box shall be fire rated and include accessory grill. Unit shall be Guy Gray product #82456 as manufactured by IPS Corporation.

Box Material:

PVC Resin & Intumescent Pad attached



ACCESSORY GRILL

Item #	Product Description	Model #	Quantity
82456	Air Admittance Valve Outlet Box, 1 1/2" female adaptor included	FRAAV12	5



500 Distribution Parkway, Collierville, TN 38017 ▪ Phone: 800-888-8312 ▪ Fax: 901-853-5008 ▪ www.ipscorp.com