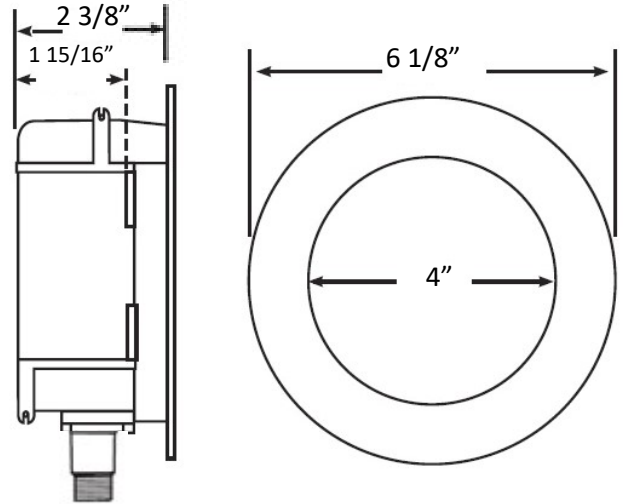
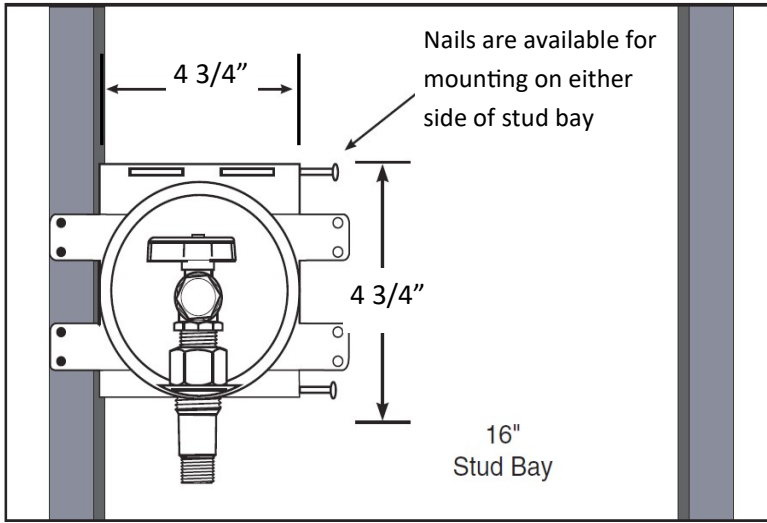




GAS VALVE MINI OUTLET BOX

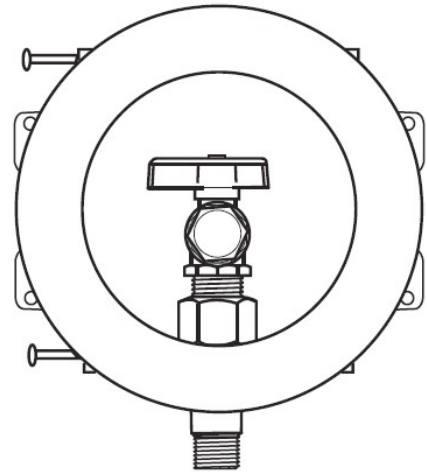


Specifications:

Furnish and install recessed Gas Valve Mini Outlet Box with CSA listed valve and preloaded nails. Unit shall be Water-Tite product code checked below with appropriate valve connection as manufactured by IPS Corporation in Collierville, TN.

Valve:

Complies with ANSI Z21/CSA9.1



Product Code	Description	Model
88106	Gas Mini Outlet Box w/1/2" Valve for Iron Pipe	W5700
88107	Gas Mini Outlet Box w/1/2" Valve for Iron Pipe/Cont. Pack	W5700CP

