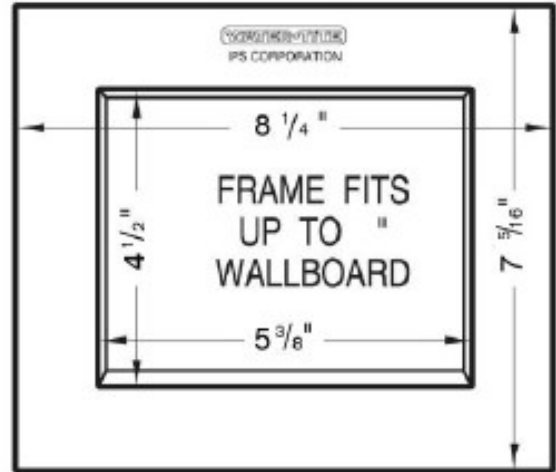
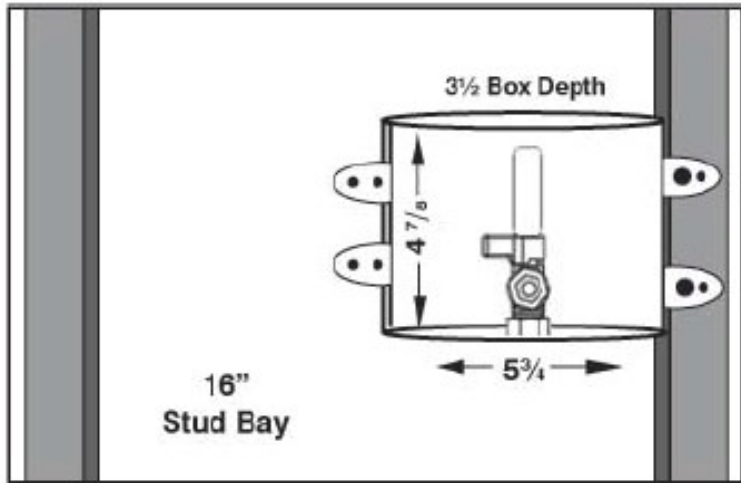




**PLASTIC SQUARE ICE MAKER OUTLET BOX**  
 With Lead Free Quarter Turn Hammer Arrestor Valve



**Specification:**

Furnish and install plastic ice maker outlet box with lead free quarter turn hammer arrestor valve installed as noted below. Unit shall be Water-Tite product code checked below as manufactured by IPS Corporation. Valves comply with ASME A112.18.1. Valves comply with NSF/ANSI 372(annex G) and the U.S. Safe Drinking Water Act.

Product Code #	Product Description	Model Number	Units/Case
87978	1/4 Turn Lead Free Arrestor Valve, 1/2" Sweat Conx.	AB9700HA	10
87982	1/4 Turn Lead Free Arrestor Valve, 1/2" CPVC Conx.	AB9701HA	10
87980	1/4 Turn Lead Free Arrestor Valve, 1/2" PEX Conx.	AB9702HA	10
87984	1/4 Turn Lead Free Arrestor valve, 1/2" Wirsbo® Conx.	AB9711HA	10
82823	1/4 Turn Lead Free Arrestor valve, 1/2" REHAU EVERLOC+™ Conx.	AB9705HA	10
<b>CONTRACTOR PACKS</b>			
87979	1/4 Turn Lead Free Arrestor Valve, 1/2" Sweat Conx.	AB9700HACP	20
87983	1/4 Turn Lead Free Arrestor Valve, 1/2" CPVC Conx.	AB9701HACP	20
87981	1/4 Turn Lead Free Arrestor Valve, 1/2" PEX Conx.	AB9702HACP	20
87985	1/4 Turn Lead Free Arrestor valve, 1/2" Wirsbo® Conx.	AB9711HACP	20
82824	1/4 Turn Lead Free Arrestor valve, 1/2" REHAU EVERLOC+™ Conx.	AB9705HACP	20

