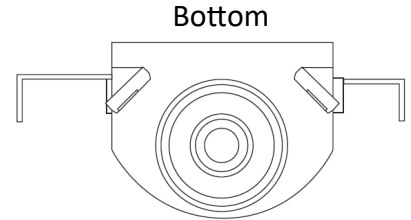
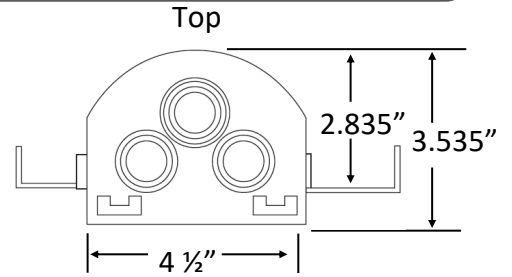
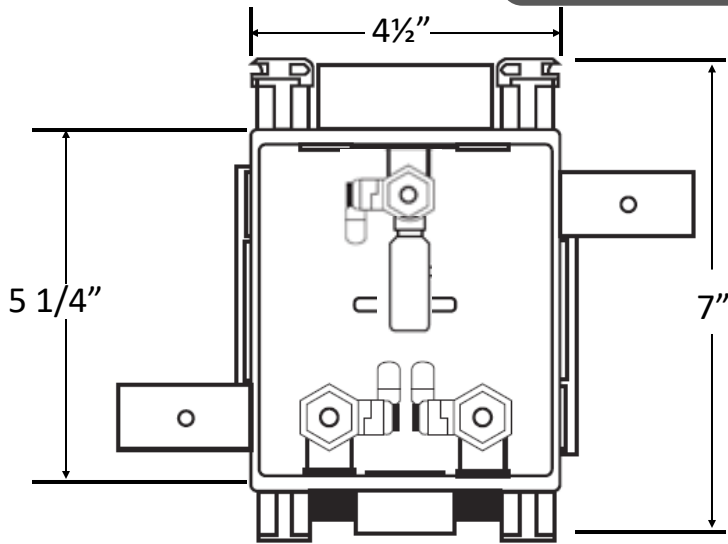




**MultiBox™, Kitchen Box
with Qtr Turn and Hammer Arrester Valve**



Specification:

Furnish and install MultiBox Kitchen Box, combination dishwasher/commercial ice & angle stop with extra deep faceplate for custom fit to cabinetry. Unit shall be Water-Tite product code checked below, as manufactured by IPS Corporation.

Box/Frame Material:

PVC

Valves:

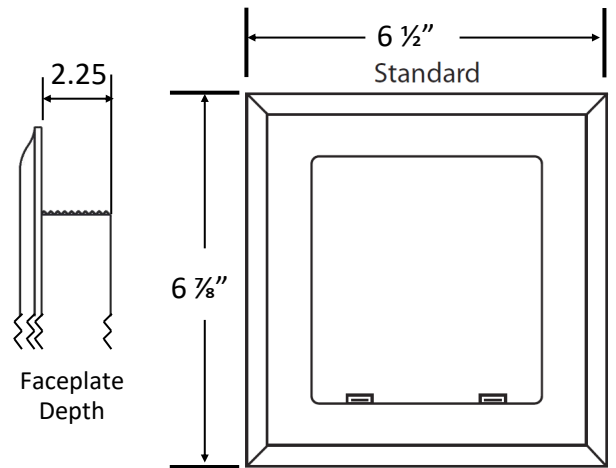
Lead free Qtr. Turn Valves with 3/8" Compression Outlet available for Sweat, CPVC, PEX, Wirsbo or REHAU EVERLOC+™ connection as checked below. Valves comply with ASME A112.18.1/CSA B125.1-05, NSF61-NSF/ANSI 372, and meets No Lead Plumbing Law. Arrester complies with ASSE 1010.

Available Accessories:

3 Universal Faceplates: Open, Solid and Louvered
Stabilizer Bar

Certifications:

Box 
Valves 



✓	Product Code #	Model #	Product Description	Units/Case
	83199	ASDW1200HA	Combination 3/8" AS & DW-HA 1/2" Sweat	10
	83206	ASDW1201HA	Combination 3/8" AS & DW-HA 1/2" CPVC	10
	83207	ASDW1202HA	Combination 3/8" AS & DW-HA 1/2" F1807	10
	83208	ASDW1211HA	Combination 3/8" AS & DW-HA 1/2" F1960	10
	83386	ASDW1205HA	Combination 3/8" AS & DW-HA 1/2" REHAU EVERLOC+™	10

