



Flush•Tite Closet Flange - Fits Over 4" Pipe

Specifications:

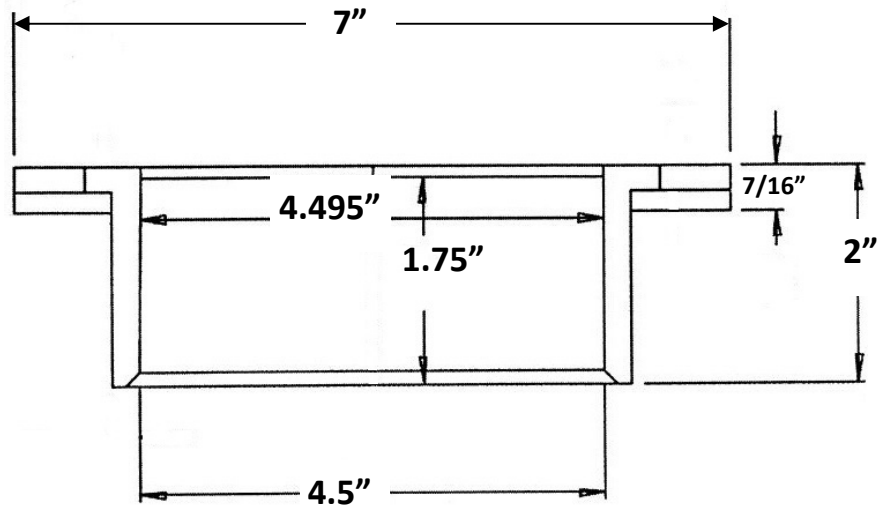
Furnish and install Water-Tite Flush-Tite Closet Flange for solvent weld installation only. Available in PVC or ABS with and without knockout. Product shall be Water-Tite product code checked below as manufactured by IPS Corporation.



With Knockout



Without Knockout



✓	Product Code #	Model #	Product Description	Case Qty
WITHOUT KNOCKOUT				
	86126	4824	Fits Over 4" Sch. 40 DWV PVC Pipe, w/o Knockout	20
	86127	5824	Fits Over 4" Sch. 40 DwV ABS Pipe, w/o Knockout	20
WITH KNOCKOUT				
	86128	4824KO	Fits Over 4" Sch. 40 DWV PVC Pipe, With Knockout	20
	86129	5824KO	Fits Over 4" Sch. 40 DWV ABS Pipe, With Knockout	20

