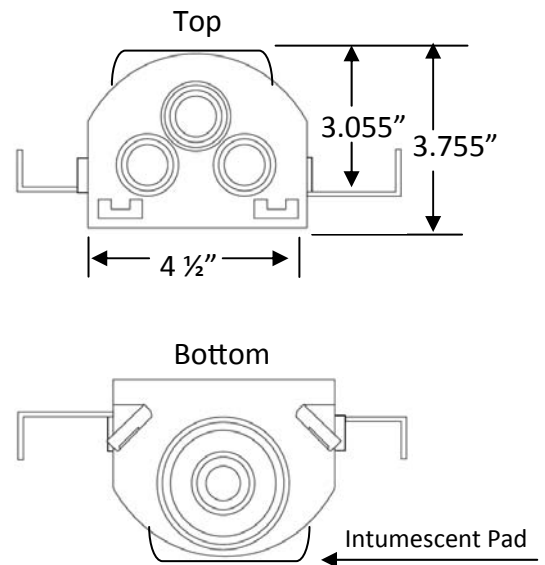
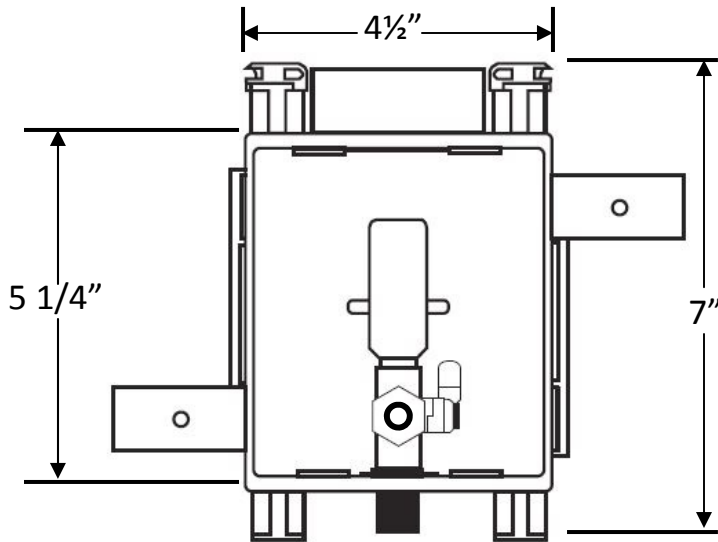




“FR” MultiBox™, Dishwasher/Commercial Ice Maker Box System with Quarter Turn Arrester Valve



Specification:
Furnish and install fire-rated MultiBox Ice Maker Outlet Box. Unit shall be Water-Tite product code checked below, as manufactured by IPS Corporation.

Box/Frame Material:
PVC & Intumescent Pad attached

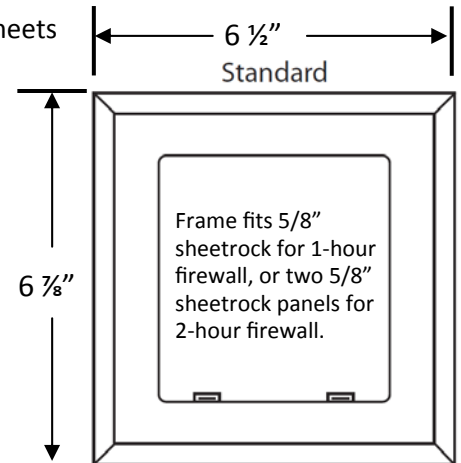
Valve:
Lead free Qtr. Turn Valve with 3/8" Compression Outlet available for Sweat, CPVC, PEX or Wirsbo connection as checked below.
Valve complies with ASME A112.18.1/CSA B125.1-05, NSF61-NSF/ANSI 372, and meets California No Lead Plumbing Law. Arrester complies with ASSE 1010.

Available Accessories:
3 Universal Faceplates: Open, Solid and Louvered
Stabilizer Bar

Certifications:



Box has been certified with the following ratings:
ASTM E814, 1 Hr (F), 41 Min (T) and 2 Hr (F), 101 Min (T)
CAN/ULC-S115-1 Hr (F/FH), 41 Min (FT/FTH) and 2 Hr (F/FH), 101 Min (FT/FTH)



✓	Product Code #	Model #	Product Description	Units/Case
	83096	FRDW1200HA	FR Dishwasher OB, Qtr-turn Arrester Valve, 3/8" Sweat Connection	10
	83097	FRDW1201HA	FR Dishwasher OB, Qtr-turn Arrester Valve, 3/8" CPVC Connection	10
	83098	FRDW1202HA	FR Dishwasher OB, Qtr-turn Arrester Valve, 3/8" PEX Connection	10
	83099	FRDW1211HA	FR Dishwasher OB, Qtr-turn Arrester Valve, 3/8" Wirsbo Connection	10

