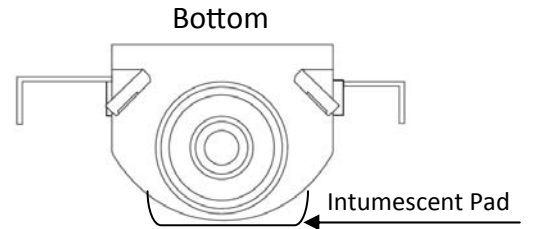
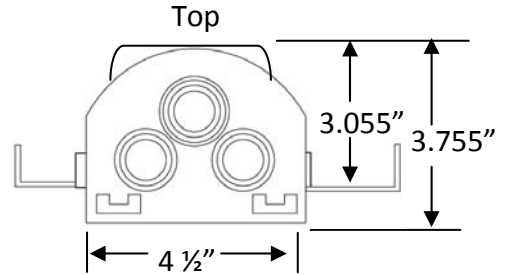
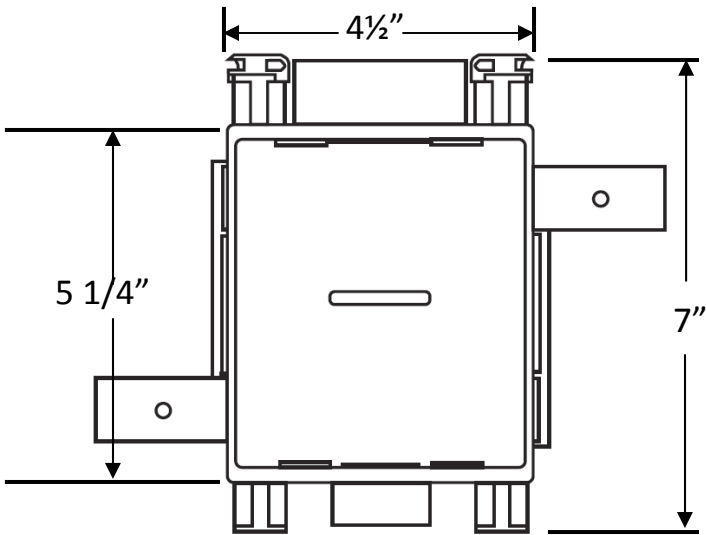




“FR” MultiBox™, Red-Vent® Kit



Specification:

Furnish and install fire-rated MultiBox with Red-Vent Kit. Unit shall be Water-Tite product code checked below, as manufactured by IPS Corporation.

Box/Frame Material:

PVC & Intumescent Pad

Studor® Redi-Vent:

ANSI/ASSE 1050 and 1051

See full specs here:

<http://www.ipscorp.com/pdf/studor/Spec-RediVent.pdf>

Available Accessories:

3 Universal Faceplates: Open, Solid and Louvered
Stabilizer Bar

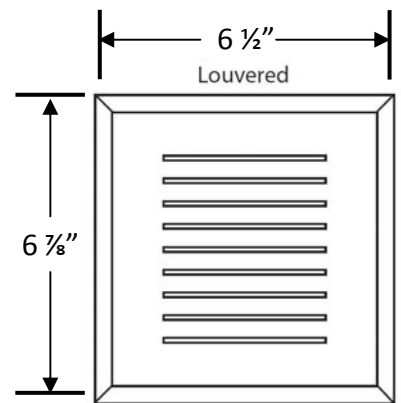
Certifications:

Box

Box has been certified with the following ratings:

ASTM E814, 1 Hr (F), 41 Min (T) and 2 Hr (F), 101 Min (T)

CAN/ULC-S115-1 Hr (F/FH), 41 Min (FT/FTH) and 2 Hr (F/FH), 101 Min (FT/FTH)



✓	Product Code #	Model #	Product Description	Units/Case
	83085	MBFRS1200AAV	FR MultiBox with Redi-Vent and Louvered Faceplate	10

