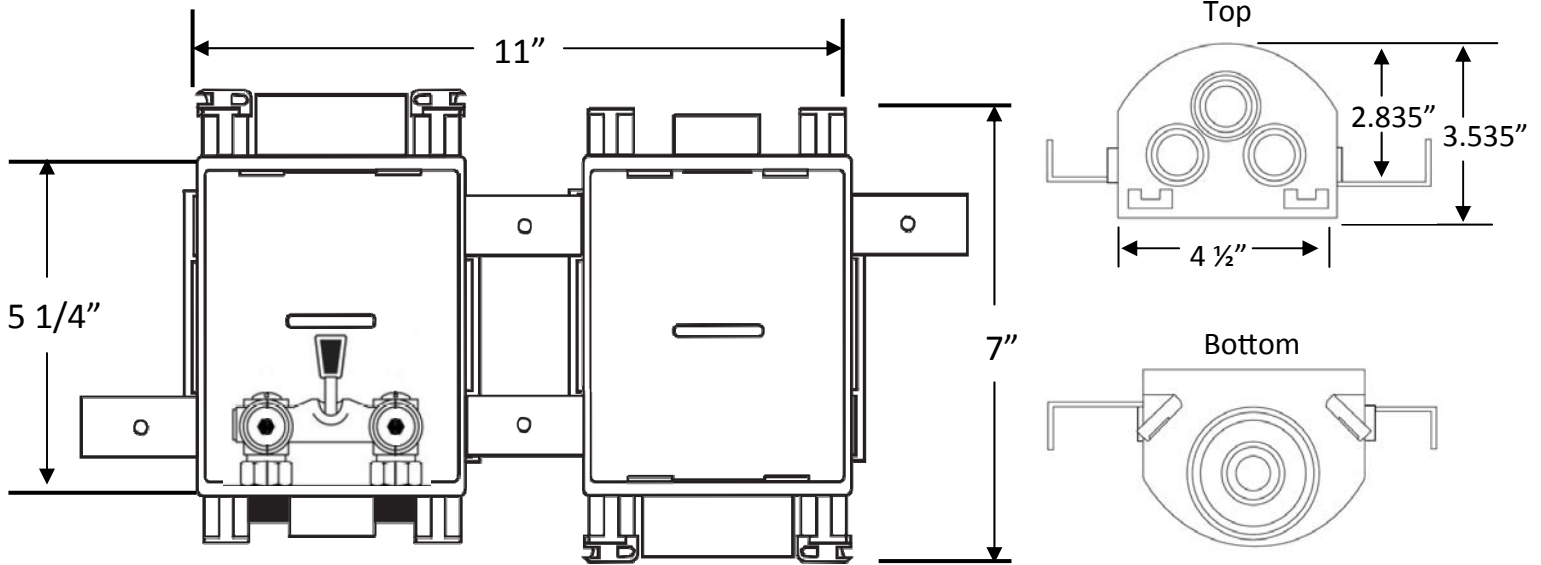




**MultiBox™, Washing Machine Outlet Box & Aux. Drain Box System with Single Lever Valve**



**Specification:**

Furnish and install MultiBox Washing Machine Outlet Box and Auxiliary Drain Box System. Boxes may be inter-connected or installed separately. Valve box includes DWV drain to capture hose leaks, while the drain box contains 2" drain with integrated knock-out for DWV testing. Unit shall be Water-Tite product code 82953, as manufactured by IPS Corporation.

**Box/Frame Material:**

PVC

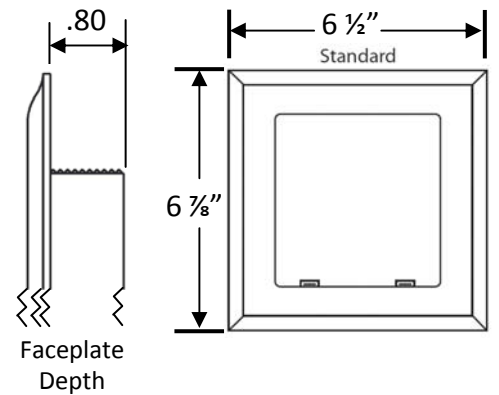
**Valve:**

Single Lever Valve with Wirsbo connection.  
Valve complies with ASME A112.18.1/CSA B125.1-05.

**Available Accessories:**

3 Universal Faceplates: Open, Solid and Louvered  
Stabilizer Bar

**Certifications:**



✓	Product Code #	Model #	Product Description	Units/Case
<b>CONTRACTOR PACK</b>				
	82953	MB1211SLCP	Two Box WMOB System, Single Lever Valve, 1/2" Wirsbo Conx.	10

