



Trap-Vent[®]

Manufacturer: Studor[®], Inc.

Connection Size: 1 1/4" or 1 1/2"

Model #: Trap-Vent[®]

Item #: 20395 or 20396

General:

The compact Studor[®] Trap-Vent[®] is a combined trap with a 2" water seal, and an integral AAV, reducing the need for secondary ventilating and replacing conventional P-traps. The valve within the Trap-Vent opens and admits fresh air when the negative pressure occurs from a fixture discharging into the system. This equalizes the pressure within the system and protects the trap seal. When the flow stops, the valve closes by gravity, preventing any transmission of sewer gas. The Trap-Vent can support a twenty foot head pressure.



Location:

- A. The Trap-Vent is for use on a lavatory, water cooler or sinks that do not receive a discharge from any appliance. Trap-Vent is rated up to 6 DFUs on a horizontal wet vent.
- B. Note, Trap-Vent cannot be installed on kitchen sinks, laundry tubs or a sink that receives a discharge from any kind of appliance.

Installation:

- A. The Trap-Vent should be connected to the piping in accordance with the manufacturer's installation instructions.
- B. The Trap-Vent should be installed in the vertical, upright position after rough-in and pressure testing of the DWV system.
- C. A minimum of one vent shall extend to the open atmosphere for every building drainage system.
- D. The Trap-Vent should not be installed as a vent terminal for any special (chemical) waste system or in supply and return air plenums.
- E. For installation in areas with temperature range between +32°F and +150°F.



Accessories:

- A. White Cladding is available for a designer finish. The cladding simply snaps over the Trap-Vent Body.

Materials:

- A. Body: UV Stabilized ABS (acrylonitrile butadiene styrene)
- B. Membrane: Synthetic Rubber

Performance Standards:

Trap-Vent is for use on a lavatory, water cooler or on sinks that do not receive a discharge from any appliance. Trap-Vent is rated up to 6 DFU on a horizontal wet vent. Trap-Vent cannot be installed on kitchen sinks, laundry tubs, or a sink that receives discharge from any kind of appliance. Trap-Vent must be installed in a vertical position in an accessible location which permits free movement of air into the valve. Do not use where pumps or pressurized flushing devices are used. Do not install Trap-Vent where it could be subject to subfreezing temperatures or temperatures exceeding 150°F.

Please follow all instructions carefully during installation. This device is not a substitute for ALL conventional venting situations. Listings are subject to change without notice. Codes compliance will vary per State and Municipality, please verify with your local code officials before installing.

Tailpieces and adapters were not tested or listed by NSF International for this production location. Product can also come with white cladding model, 20496.





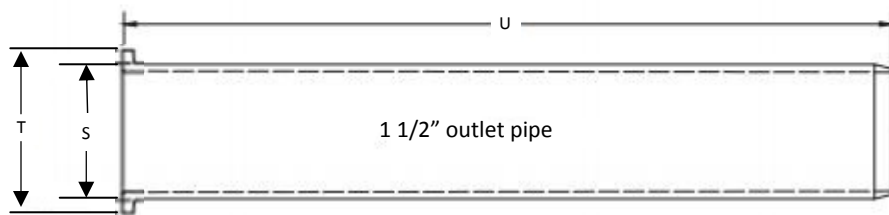
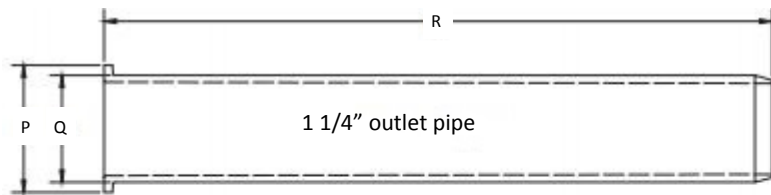
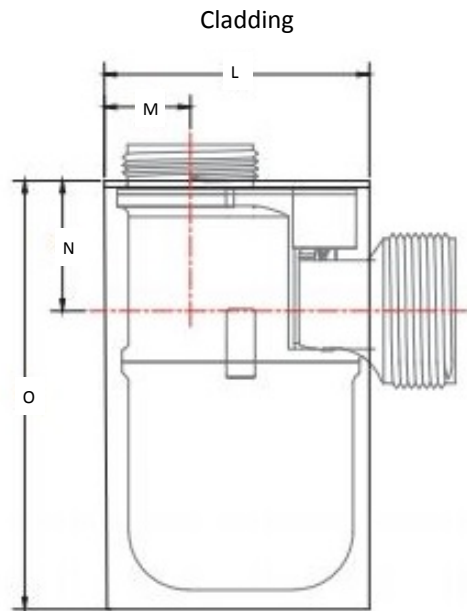
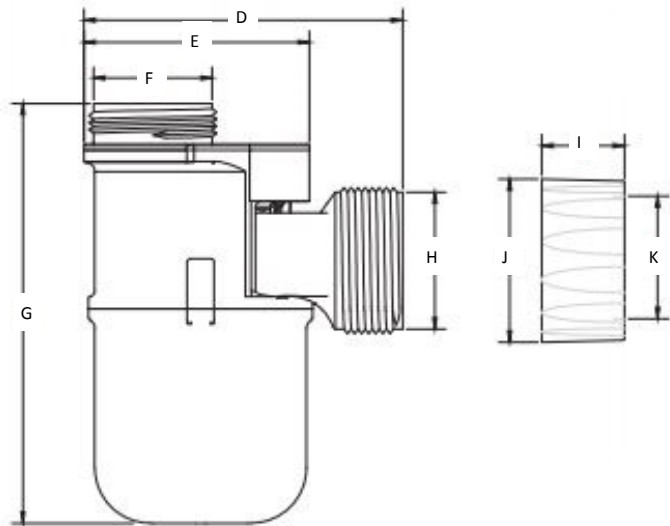
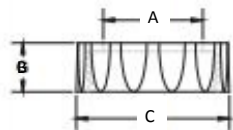
Trap-Vent[®]

Manufacturer: Studor[®], Inc.

Connection Size: 1 1/4" or 1 1/2"

Model #: Trap-Vent[®]

Item #: 20395 or 20396



Dimension	Inches
A	1 1/4
B	5/8
C	2
D	4 1/16
E	2 7/8
F	1 7/16
G	5 1/16
H	1 3/4
I	1 1/16
J	2 1/8
K (outlet option)	1 1/4
	1 1/2
L	3 3/16
M	
N	
O	5 3/16
P	1 1/2
Q	Ø1.25
R	8
S	Ø1.5
T	Ø1.625
U	8

