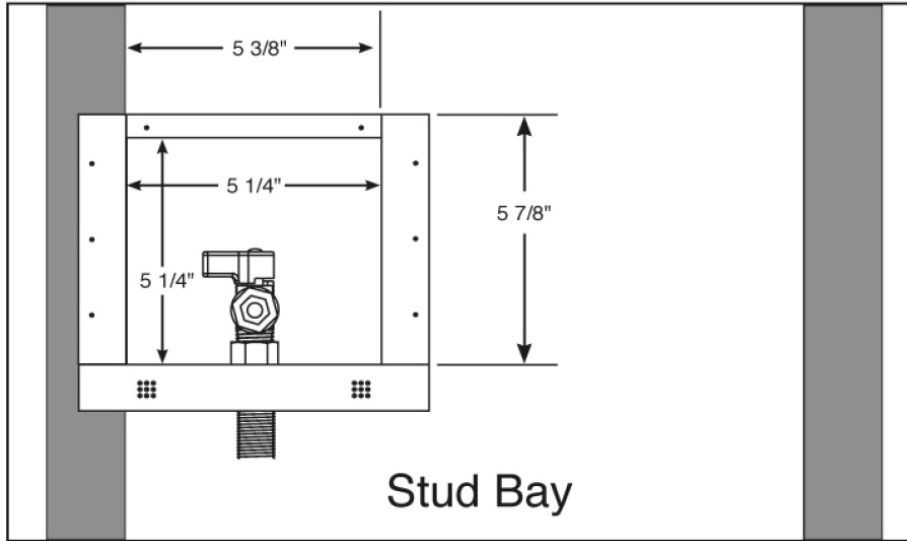


SPECIFICATION SUBMITTAL SHEET



“FR-12” METAL FIRE RATED ICE MAKER OUTLET BOX with Lead Free Quarter Turn Valve



Specifications:

Furnish and install recessed fire rated ice maker outlet box. Unit shall have a lead free quarter-turn ball valve. Unit shall be Guy Gray product code checked below as manufactured by IPS Corporation.

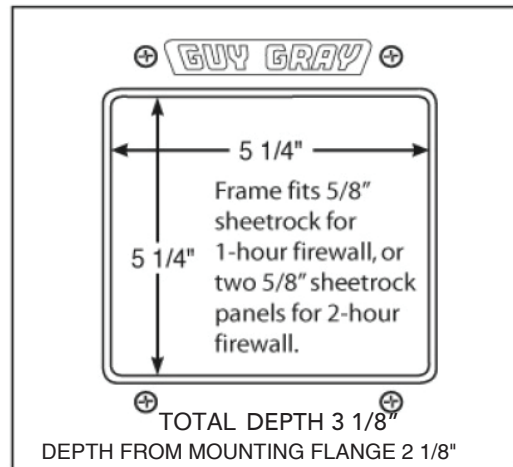
Box Material:

White Powder Coat on Cold Rolled Steel Finish & Intumescent Pad

Valve & Drain Options:

Qtr. Turn Valve kit with 1/2" MIP/Sweat, CPVC, PEX or Wirsbo connection furnished. Kit includes valves, locknuts and o-rings.

Valves comply with ASSE 1010 and NSF61-NSF/ANSI 372 and ASME A112.18.1



Item #				
82390	Lead Free Qtr Turn Valve, 1/2" Sweat Connection		FRMIB12ABS	
82393	Lead Free Qtr Turn Valve, 1/2" CPVC Connection		FRMIB12ABC	5
82395	Lead Free Qtr Turn Valve, 1/2" PEX® Connection		FRMIB12ABP	
82397	Lead Free Qtr Turn Valve, 1/2" Wirsbo® Connection		FRMIB12ABW	5

