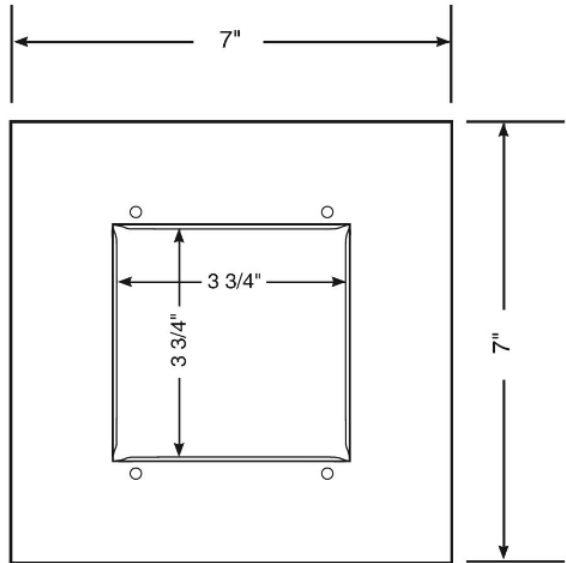
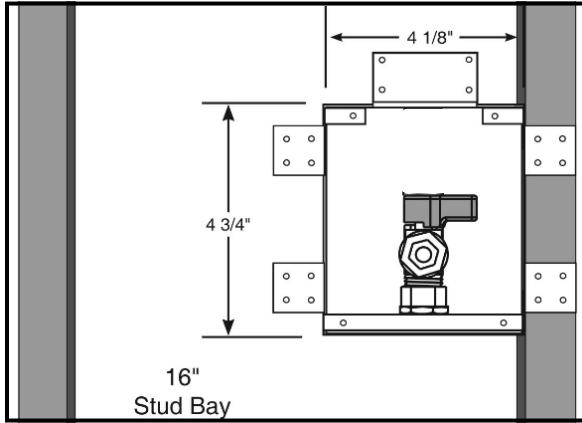




White Powder Coated Ice Maker Outlet Box
With Lead Free Valves



SPECIFICATION

Furnish and install recessed, white powder coated ice maker outlet box. Ice maker outlet box shall have a brass plated, quarter turn valve meeting Lead-Free requirements. Valve shall feature either Mylar® tag and AB1953 stamping or white handle and check-mark logo for easy Lead-Free identification. Unit shall be Guy Gray™ product code checked below as manufactured by IPS Corporation.

Product Code #	Model Number	Product Description	Units/Case
88133	MIB1AB	Brass Qtr Turn Valve, Installed, 1/2" Sweat Conx.	5
88532	MIB2AB	Brass Qtr Turn Valve, Installed, 1/2" CPVC Conx.	5
88178	MIB3AB	Brass Qtr Turn Valve, Installed, 1/2" PEX Conx.	5
88534	MIB4AB	Brass Qtr Turn Valve, Installed, 1/2" Sweat Conx. Contractor Pack	10
88535	MIB5AB	Brass Qtr Turn Valve, Installed, 1/2" Wirsbo Conx.	5



www.ipscorp.com watertite@ipscorp.com

500 Distribution Parkway, Collierville, TN 38017, USA ■ TEL: 901-853-5001 ■ WATS: 800-888-8312 ■ FAX: 901-853-5008