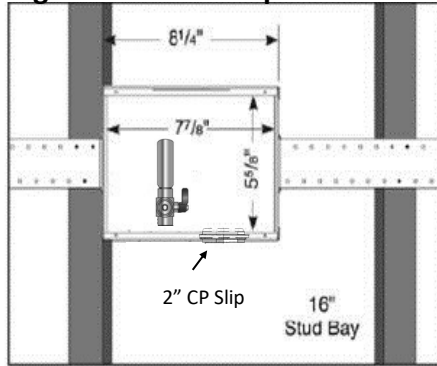


INSTALLATION INSTRUCTIONS

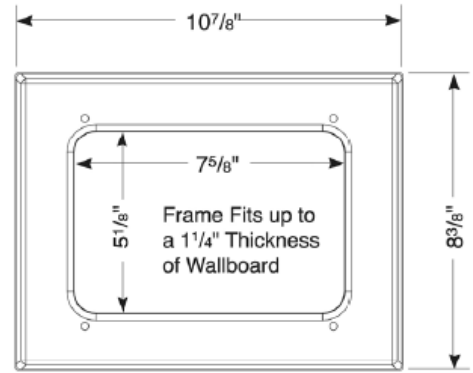
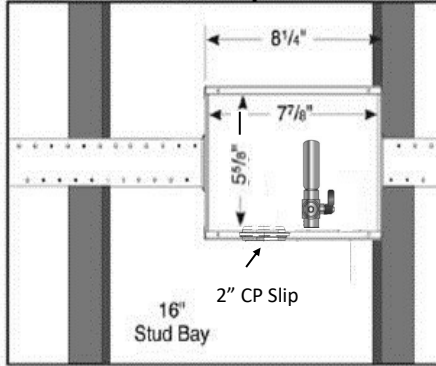


Commercial 3/8" Outlet Hammer Arrester Valve, Metal Dishwasher and Ice Maker Outlet Box with Drain

Right Hand Drain Option



Left Hand Drain Option



RMDW1AB Commercial Ice Maker/Dishwasher/Coffee Maker Box Installation Instructions
1) Remove the faceplate that is attached to the outlet box and save for future installation once sheet rock has been completed.
2) Using either nails or screws, mount the box to the stud.
3) Box can be mounted on either side of the stud bay.
4) Connect 2" threaded pipe nipple or male adapter (PVC or ABS) to the drain hole in the box using the Slipnut Drain Kit. Connect appropriate pipe to the drain fitting used. Confirm with local codes regarding need for P-trap installation below outlet box. Note: Follow all local plumbing codes for all indirect waste piping discharge requirements, trap/venting requirements and air gap or air break requirements. Also, follow ice maker manufacturer's recommendations for discharge into drainage system.
5) Connect the water supply piping to the outlet box valves using appropriate piping for valve connections. Check all local codes.
6) Test all piping joints for leaks. Test drain line if required by local code.
7) After sheet rock has been installed, screw the faceplate onto the outlet box.
8) To the 3/8" outlet of valve attach either:
a) Copper supply tubing via compression connection.
b) Poly supply tubing via compression connection - brass insert into poly tube is required
c) Braided hose via threaded connection.
9) Connect to the inlet connection of the commercial ice maker, dishwasher, or coffee maker.
10) Make sure drain hose is secured so it does not push out of the box due to the water being forced out of the hose from the Ice Maker/Dishwasher/Coffee Maker.
11) Check all local codes for appropriate approvals and requirements.

88436	Description	Qty
88300	3/8" Lead Free Qtr Turn 1/2" Solder Valve w/HA	1
89917	Locknut for Solder Valve	1
90193	Valve Spacer	1
90504	Faceplate	1
89893	Faceplate Screws (#8x1 1/4) - Package of 4	1
90505	Mounting Brackets	2
97031	7/8" Rubber Washers for Valve	1
97032	Valve	1
97034	2" CP Slipnuts for Drain	1
97036	2" Rubber Gaskets for Drain	1
97046	2" Flange Nuts for Drain	1

Product Code	Model Number	Product Description	Units/Case
88436	RMDW1AB	Brass Qtr Turn Hammer Arrester Valve, Uninstalled, 1/2" Sweat Conx. with 3/8" Compression Outlet and 2" Slipnut Drain Kit - Standard Packaging.	5

