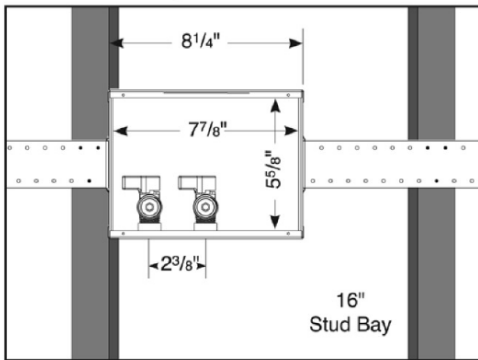


INSTALLATION INSTRUCTIONS

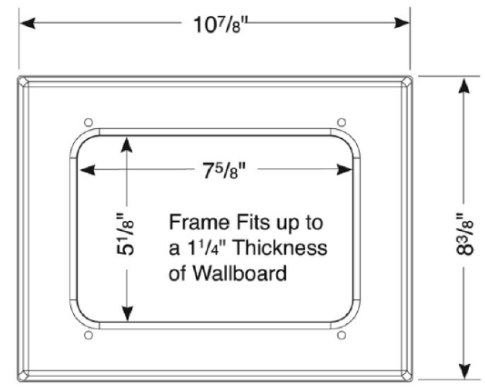
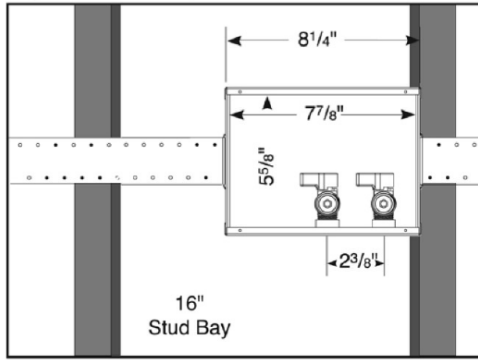


Reversible Drain White Powder Coated Washing Machine Outlet Box with Quarter Turn Valves

Left hand Drain Option



Right hand Drain Option



MWBRLV Washing Machine Outlet Box Installation Instructions
1) Remove faceplate that is attached to the washing machine outlet box and save for future installation once sheet rock has been completed.
2) Using either nails or screws, mount the box to the stud.
3) Box can be mounted on either side of the stud bay.
4) Make sure washer box drain is above the water level of the washing machine, approximately 42".
5) Connect threaded pipe nipple or male adapter (PVC or ABS) to the drain hole in the box using the provided Drain Kit. Connect appropriate pipe to the drain fitting used. All piping systems should be made to local codes which require a P-trap installation below washer box.
6) Connect the water supply piping to the washing machine box valves using appropriate piping for valve connections, if necessary. Check all local codes. (Valves not provided with this box.)
7) Test all piping joints for leaks. Test drain line if required by local code.
8) After sheet rock has been installed, screw the faceplate onto the washing machine box.
9) If valve(s) added to box, attach them to appropriate outlet line(s) by the appropriate method and insert the washing machine drain hose into opening of the 2" drain line from inside the washer box. Make sure drain hose is secured so it does not push out of the box due to the water being forced out of the hose from the washing machine.
10) Check all local codes for appropriate approvals and requirements.

82139	Description	Qty
97034	2" CP Slipnuts for Drain	1
97036	2" Rubber Gaskets for Drain	1
97046	2" Flange Nuts for Drain	1
90504	Faceplate	1
89893	Face Plate Screws (4-Pack)	1

Item #	Product Description	Model #	Case Qty	Packaging
82314	Box w/o valves, Unassembled	MWBRLV	5	Standard Pack

