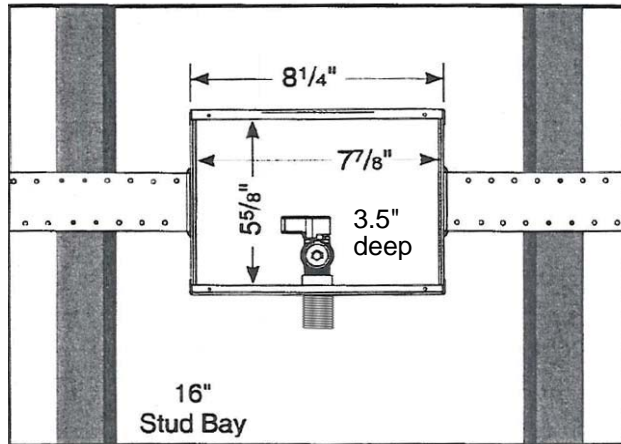
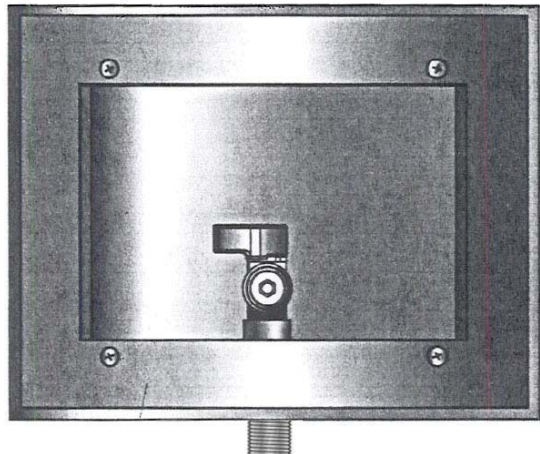


SPECIFICATION SUBMITTAL SHEET



STAINLESS STEEL ICE MAKER BOX
with Lead Free Quarter Turn Sweat Valve



Specifications:

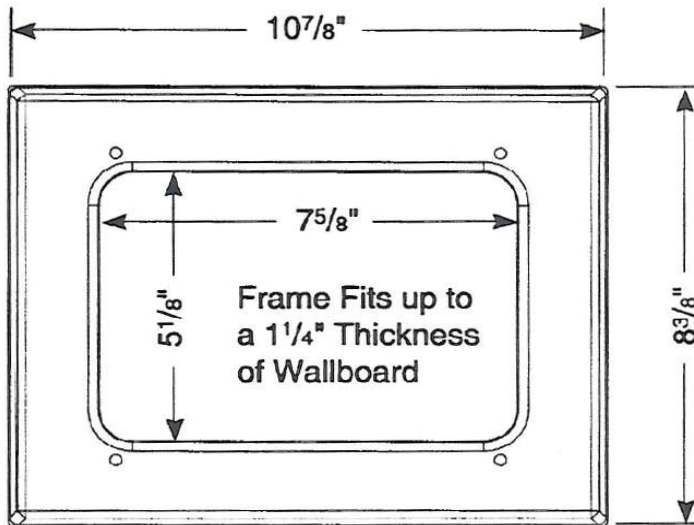
Furnish and install stainless steel ice maker outlet box. Unit shall be Guy Gray product code 88164 as manufactured by IPS Corporation.

Box Material:

Stainless Steel 304 Gauge

Valve & Drain Options:

Lead Free Qtr. Turn Valve with 1/2" MIP/Sweat connection furnished. Valves comply with ASME A112.18.1 and NSF61-NSF/ANSI 372



Item #	Product Description	Model #	Quantity
88164	Stainless Steel Ice Maker Box w/Lead Free Qtr. Turn Sweat Valve	SSIB1AB	5

