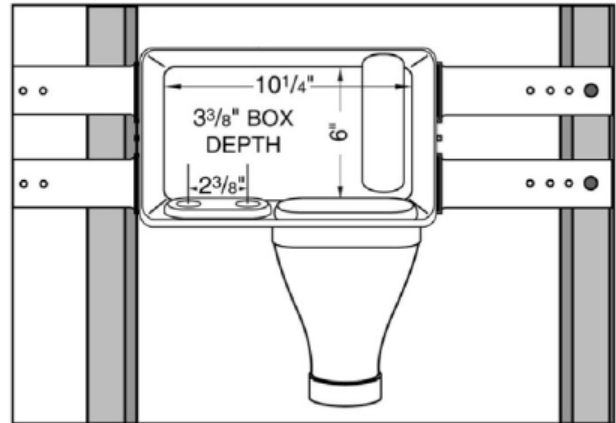
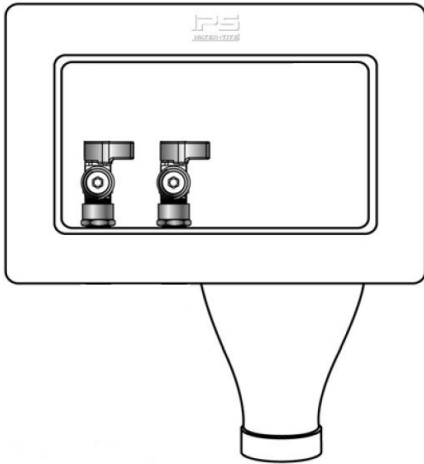


SPECIFICATION SUBMITTAL SHEET

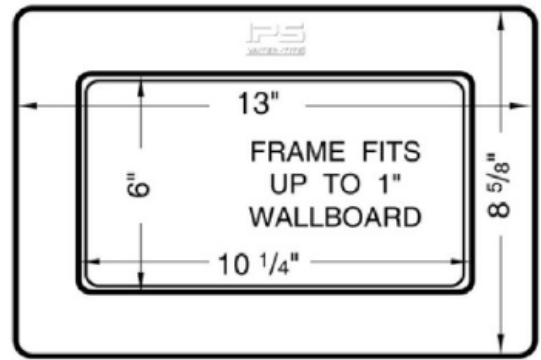


**RIGHT HAND WIDE MOUTH WMOB**  
with Quarter Turn Valves



**Specifications:**

Furnish and install wide mouth washing machine outlet box with right hand drain option and quarter turn valves installed as noted below. Unit shall be Water-Tite product code checked below, as manufactured by IPS Corporation. Valves comply with ASME A112.18.1



Product Code	Product Description	Model Number	Case/Qty
87351	Wide Mouth WMOB, Installed - 1/2" Sweat Conx.	W8900	10
87355	Wide Mouth WMOB, Installed - 1/2" CPVC Conx.	W8901	10
87359	Wide Mouth WMOB, Installed - 1/2" PEX Conx.	W8902	10
87378	Wide Mouth WMOB, Installed - 1/2" Wirsbo® Conx.	W8911	10
82771	Wide Mouth WMOB, Installed - REHAU EVERLOC™ Conx.	W8905	10
87349	Wide Mouth WMOB, Uninstalled - 1/2" Sweat Conx.	W8912	10
87386	Wide Mouth WMOB, Uninstalled - 1/2" Wirsbo Conx.	W8411	10
87405	Washer Box Only - No Valves	W8900LV	10
<b>CONTRACTOR PACK</b>			
87353	Wide Mouth WMOB, Installed - 1/2" Sweat Conx.	W8900CP	10
87357	Wide Mouth WMOB, Installed - 1/2" CPVC Conx.	W8901CP	10
87361	Wide Mouth WMOB, Installed - 1/2" PEX Conx.	W8902CP	10
87379	Wide Mouth WMOB, Installed - 1/2" Wirsbo® Conx.	W8911CP	10
82772	Wide Mouth WMOB, Installed - REHAU EVERLOC™ Conx.	W8905CP	10
<b>TOP MOUNT CONTRACTOR PACK</b>			
87385	Wide Mouth WMOB, Installed - 1/2" Sweat Conx., Top Mount	W8900CPTM	10
87383	Wide Mouth WMOB, Installed - 1/2" CPVC Conx., Top Mount	W8901CPTM	10
87384	Wide Mouth WMOB, Installed - 1/2" PEX Conx., Top Mount	W8902CPTM	10
87382	Wide Mouth WMOB, Installed - 1/2" Wirsbo® Conx., Top Mount	W8911CPTM	10

