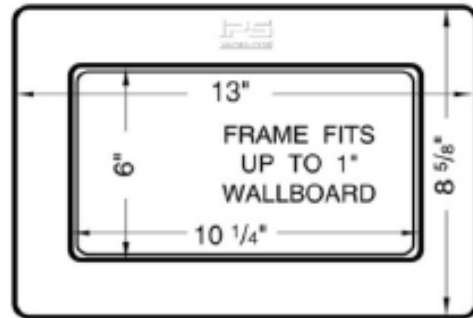
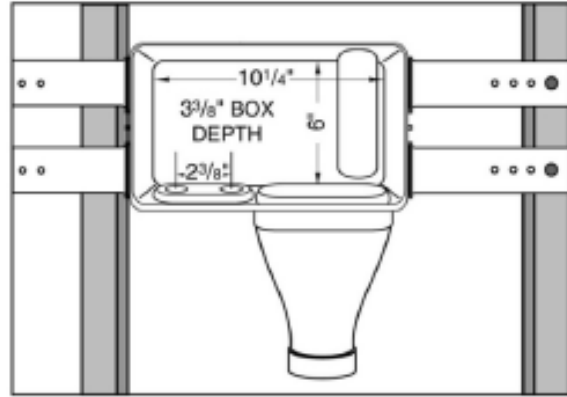
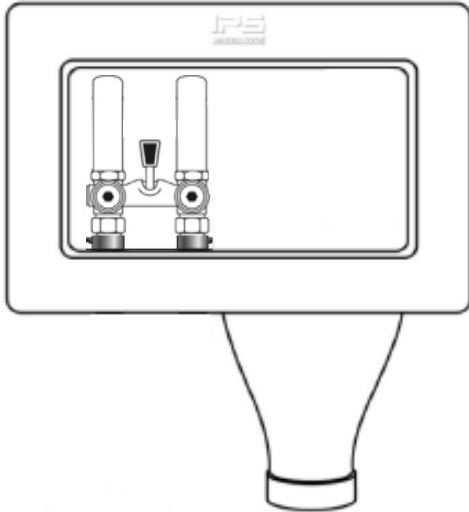


SPECIFICATION SUBMITTAL SHEET



**RIGHT HAND WIDE MOUTH WMOB**  
 With Wirsbo Single Lever Valves Installed w/Arresters



**Specifications:**

Furnish and install wide mouth washing machine outlet box with right hand drain option with integral hammer arrester Wirsbo valve. Unit shall be Water-Tite product code as manufactured by IPS Corporation. Valves comply with ASME A112.18.1. Hammer arresters comply with ASSE 1010

Item #	Product Description	Model #	Case Qty.
87400	Wide Mouth WMOB w/Wirsbo Single Lever Valves Installed w/Arresters	W8914HACP	10

