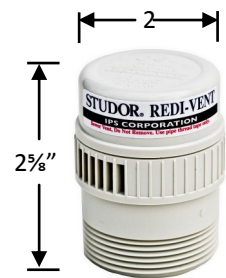
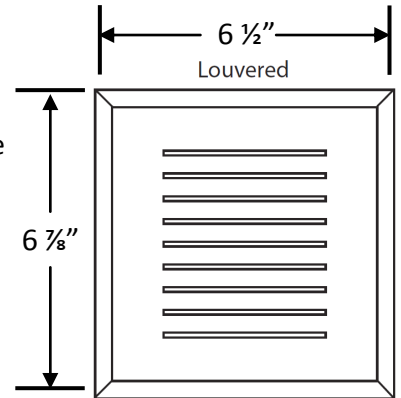
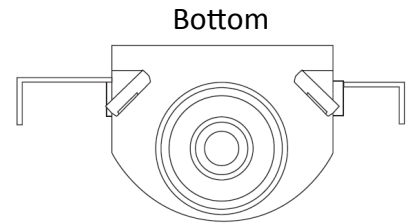
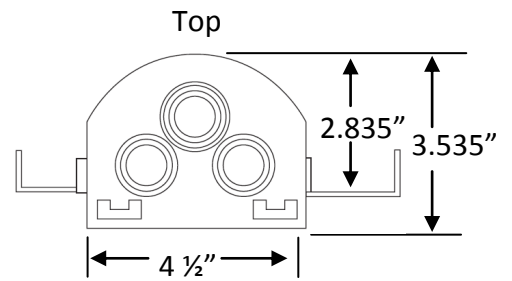
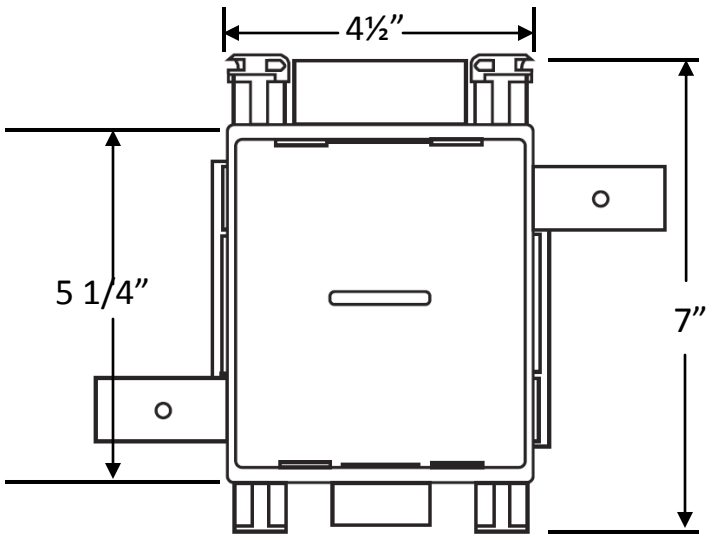




MultiBox™, Red-Vent® Kit



Specification:

Furnish and install MultiBox with Red-Vent Kit. Unit shall be Water-Tite product code checked below, as manufactured by IPS Corporation.

Box/Frame Material:

PVC

Studor® Redi-Vent:

ANSI/ASSE 1050 and 1051


See full specs here:

<http://www.ipscorp.com/pdf/studor/Spec-RediVent.pdf>

Available Accessories:

3 Universal Faceplates: Open, Solid and Louvered
Stabilizer Bar

Certifications:

Box is listed by IAPMO 

✓	Product Code #	Model #	Product Description	Units/Case
	82939	MBS1200AAV	MultiBox with Redi-Vent and Louvered Faceplate	10

