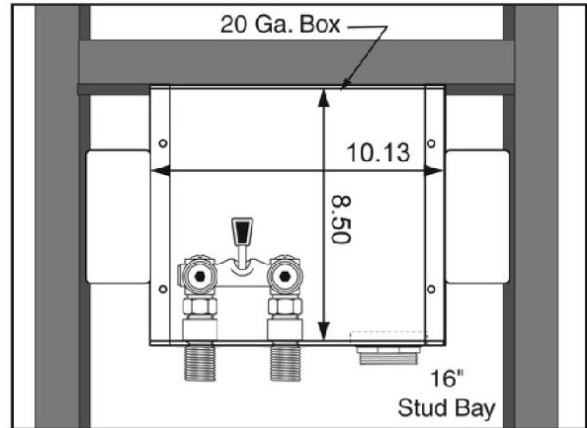
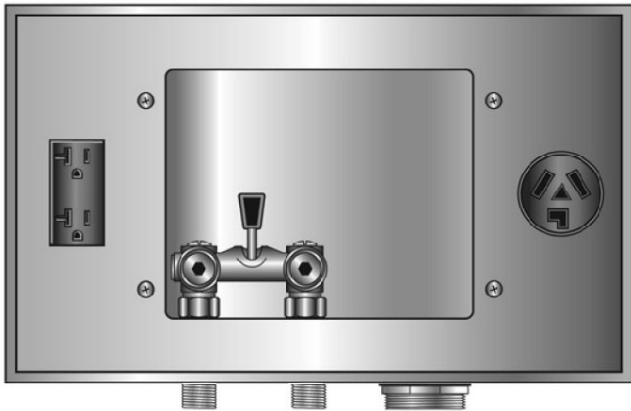


SPECIFICATION SUBMITTAL SHEET



**RIGHT DRAIN GALVANIZED WMOB, Single Lever Valve
With Duplex & Dryer Receptacles**



Specification:

Furnish and install right drain galvanized washing machine outlet box with single lever valve and duplex and dryer receptacles. Unit shall be Guy Gray product code as manufactured by IPS Corporation.

Box Material:

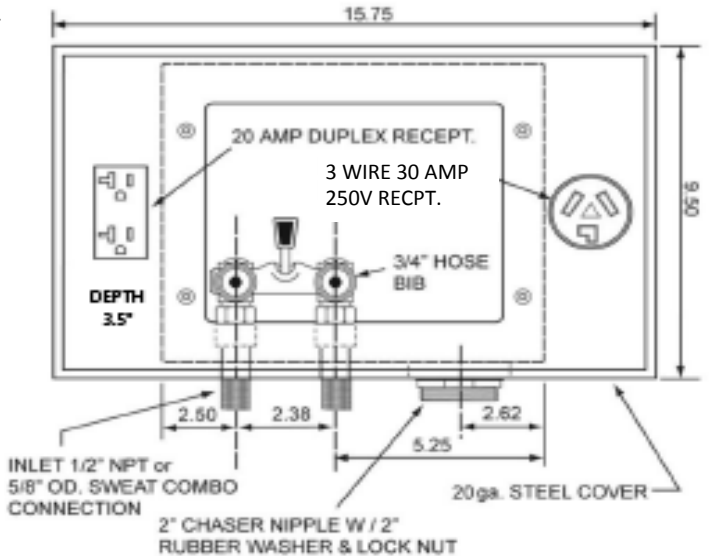
20 gauge Box and 20 gauge faceplate
G90 Hot Dipped Galvanized Steel (unpainted)

Valve & Drain Options:

Single Lever Valve with 1/2" MIP/Sweat Connection.
2" Threaded Drain. Valves comply with ASME A112.18.1

Receptacles:

UL Listed
Duplex: 20A/125V
3 Wire Dryer: 30A/125/250V



Product Code #	Product Description	Model Number	Units/Case
82045	1/2" MIP/Sweat Conx. Single Lever Valve, 2" Threaded Drain Fitting, w/Duplex and Dryer Recept.	WBED200	6

