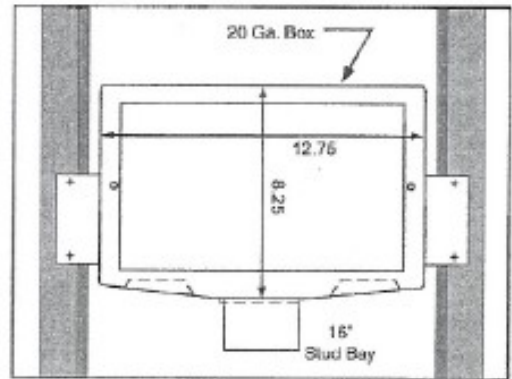
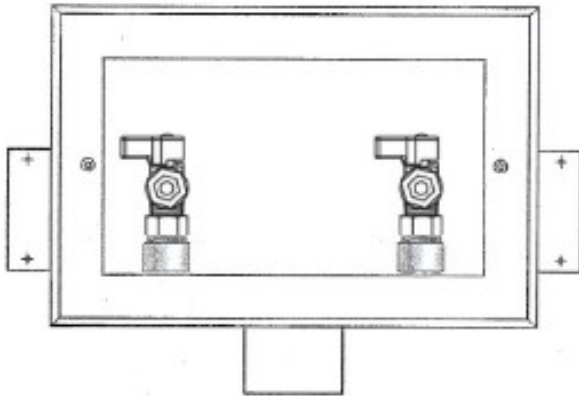




**CENTER DRAIN WHITE POWDER COATED WMOB  
W/Quarter Turn Valves**



**Specifications:**

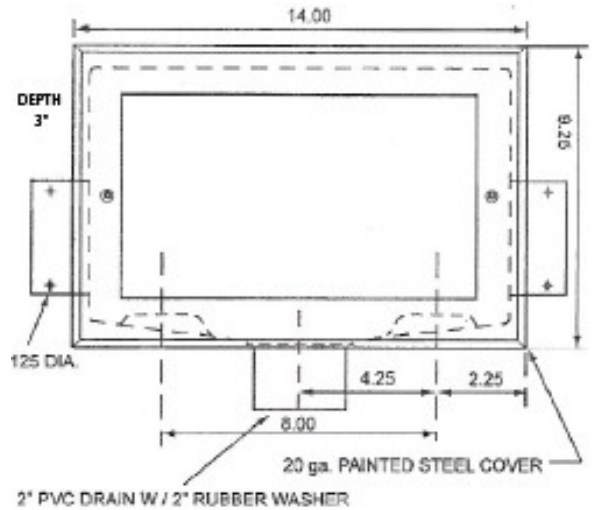
Furnish and install center drain white powder coated cold rolled steel washing machine outlet box with quarter turn valves. Unit shall be Guy Gray product code checked below as manufactured by IPS Corporation.

**Box Material:**

White Powder Coated on Cold Rolled Steel Finish  
20 gauge box and 20 gauge faceplate

**Valve and Drain Options:**

Qtr. Turn Valve with 1/2" MIP/Sweat or CPVC connection furnished.  
2" Slipnut, PVC or ABS Drain.  
Valves compliant with SAME A112.18.1



Product			
Code #	Product Description	Model #	Quantity
82311	1/2" Qtr Turn Sweat Valve, 2" Slipnut Drain Kit	T200QT	6
82145	1/2" Qtr Turn CPVC Valves, 2" PVC Drain Fitting	T200TPPVCCPVC	6
82353	1/2" Qtr Turn Sweat Valves, 2" PVC Drain Fitting	T200TPPVCQT	6
82147	1/2" Qtr Turn Sweat Valves, 2" ABS Drain Fitting	T200TPABSQT	6

