

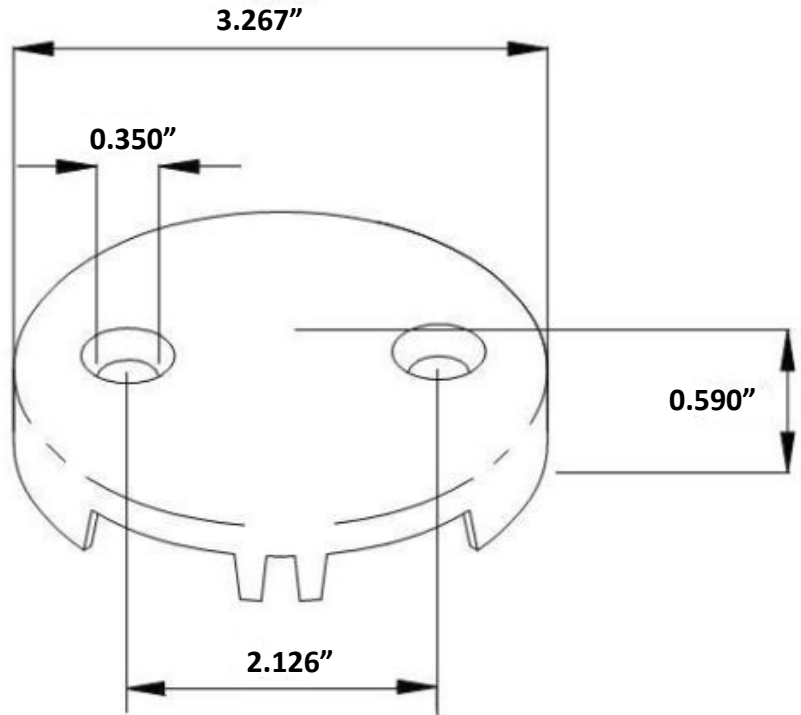
SPECIFICATION SUBMITTAL SHEET



OVERFLOW PLATE—2 HOLE

Job Name: _____
 Job Location: _____
 Engineer: _____
 Approval: _____

Contractor: _____
 Approval: _____
 Contractor's PO#: _____
 Representative: _____



Specifications

- Two-hole Overflow Plate
- Screws Included

✓	Product Code	Material/Finish	AB&A Model	Units/Case	UPC
	69656	Chrome	ABA6845	20	767580-022241
	69568	Polished Brass	ABA6847	15	767580-022265
	69662	Satin Nickel	ABA6849SN	15	767580-022302
	69664	Venetian Bronze	ABA6849VB	15	767580-047947
	69661	Oil Rubbed Bronze	ABA6849ORB	15	767580-022296
	69374	Polished Nickel	ABA6894PN	15	767580-693748
	68143	Satin Chrome	ABA6849SC	15	767580-681431
	69375	Satin Pearl	ABA6849SP	15	767580-693755
	69665	White	ABA6849W	15	767580-047954
	69376	Biscuit	ABA6849BI	15	767580-693762

