

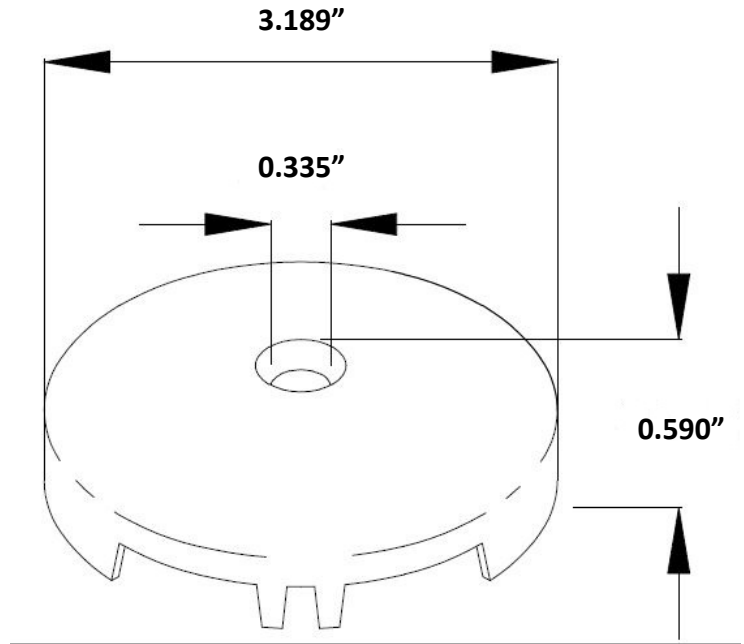
SPECIFICATION SUBMITTAL SHEET



OVERFLOW PLATE—ONE HOLE

Job Name: _____
 Job Location: _____
 Engineer: _____
 Approval: _____

Contractor: _____
 Approval: _____
 Contractor's PO#: _____
 Representative: _____



Specifications

- One-hole Overflow Plate
- Screws Included

✓	Product Code	Material/Finish	AB&A Model	Units/Case	UPC
	63001	Chrome	ABA6835	15	767580-022135
	69651	Polished Brass	ABA6839	15	767580-022159
	69653	Satin Nickel	ABA6841SN	15	767580-022210
	69654	Venetian Bronze	ABA6841VB	15	767580-047909
	69652	Oil Rubbed Bronze	ABA6841ORB	15	767580-022197
	68215	Polished Nickel	ABA6841PN	15	767580-682155
	68246	Satin Chrome	ABA6841SC	15	767580-682469
	69371	Satin Pearl	ABA6841SP	15	767580-693717
	69655	White	ABA6841W	15	767580-022234
	69828	Biscuit	ABA6841BI	15	767580-077310

