

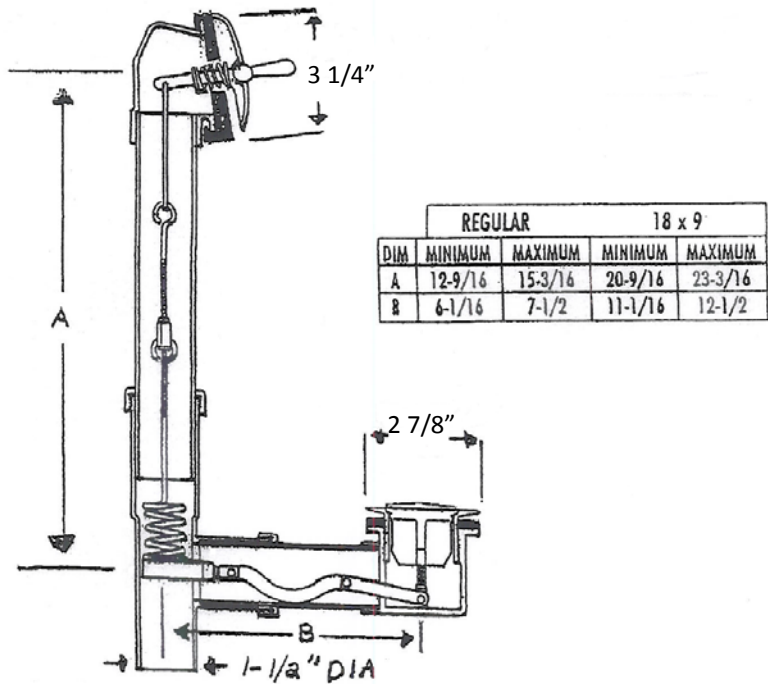
# SPECIFICATION SUBMITTAL SHEET



## Tubular Brass Waste & Overflow - Brass "Pop-up"

Job Name: \_\_\_\_\_  
 Job Location: \_\_\_\_\_  
 Engineer: \_\_\_\_\_  
 Approval: \_\_\_\_\_

Contractor: \_\_\_\_\_  
 Approval: \_\_\_\_\_  
 Contractor's PO#: \_\_\_\_\_  
 Representative: \_\_\_\_\_



**Instructions:**

Assemble the rough-in assembly to the bathtub as in the regular manner. The plunger-wire assembly may be preset (length) by completing the following steps

- Connect the wires as shown in the above drawing until the plunger is flush on the bottom of the tub.
- The face plate assembly may now be installed to the head.
- Check the operation of the unit by raising and lowering the lever on the face plate. If necessary adjust slightly.

	IPS Part #	AB&A Model	GA	Material/Finish	Units/Case
	61149	ABA14440	20	Chrome	12
	61150	ABA1444017GA	17	Chrome	12

