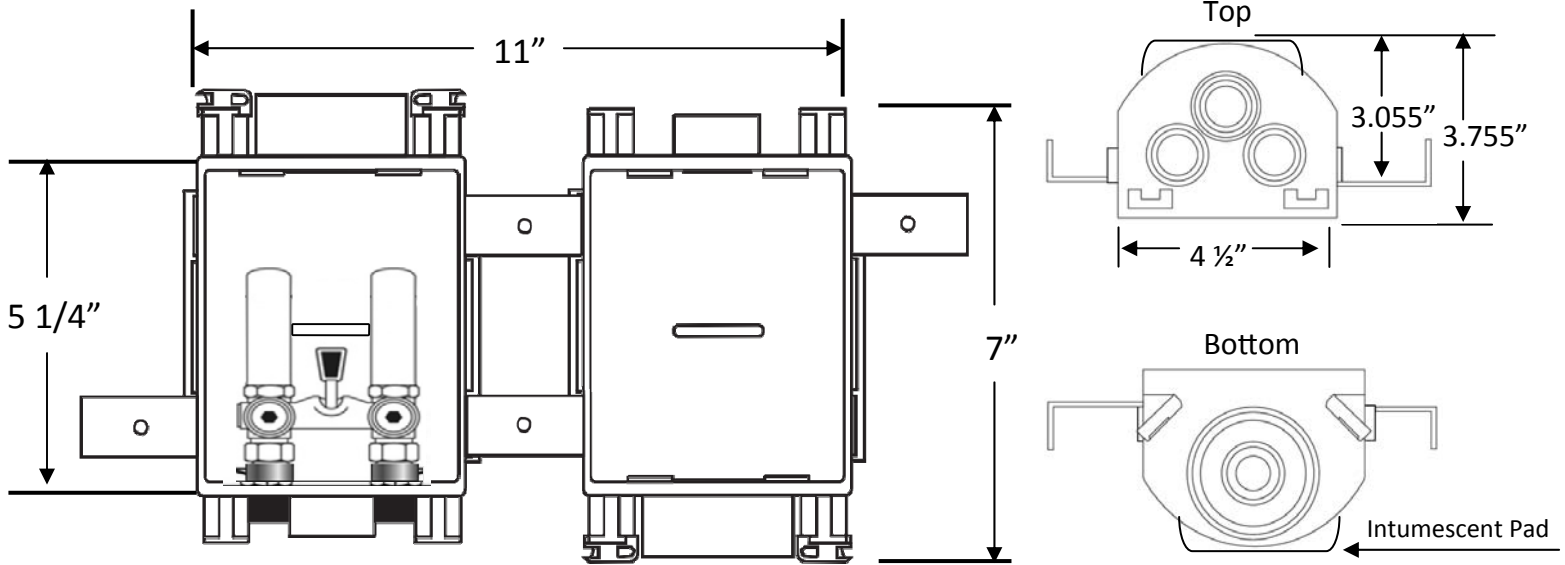




“FR” MultiBox™, Washing Machine Outlet Box & Aux. Drain Box System with Single Lever Valve with Hammer Arresters



Specification:

Furnish and install fire-rated MultiBox Washing Machine Outlet Box and Auxiliary Drain Box System. Boxes may be inter-connected or installed separately. Valve box includes DWV drain to capture hose leaks, while the drain box contains 2" drain with integrated knock-out for DWV testing. Unit shall be Water-Tite product code 83325, as manufactured by IPS Corporation.

Box/Frame Material:

PVC & Intumescent Pad attached

Valve:

Single Lever Hammer Arrester Valve with Wirsbo connection. Valve complies with ASME A112.18.1/CSA B125.1-05. Arresters comply with ASSE 1010.

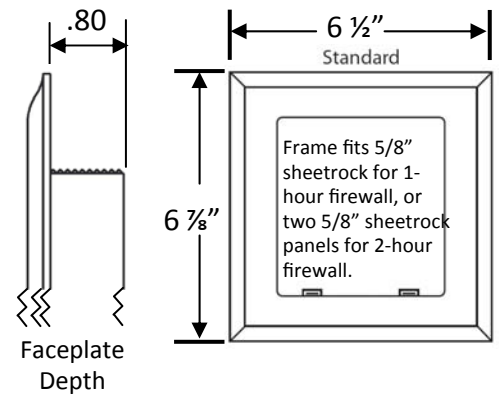
Available Accessories:

3 Universal Faceplates: Open, Solid and Louvered
Stabilizer Bar

Certifications:



Boxes have been certified with the following ratings:
ASTM E814, 1 Hr (F), 41 Min (T) and 2 Hr (F), 101 Min (T)
CAN/ULC-S115-1 Hr (F/FH), 41 Min (FT/FTH) and 2 Hr (F/FH), 101 Min (FT/FTH)



✓	Product Code #	Model #	Product Description	Units/Case
CONTRACTOR PACK				
	83325	MBFR1211SLHACP	FR Two Box WMOB System, Single Lever HA Valve, 1/2" Wirsbo Conx.	10

