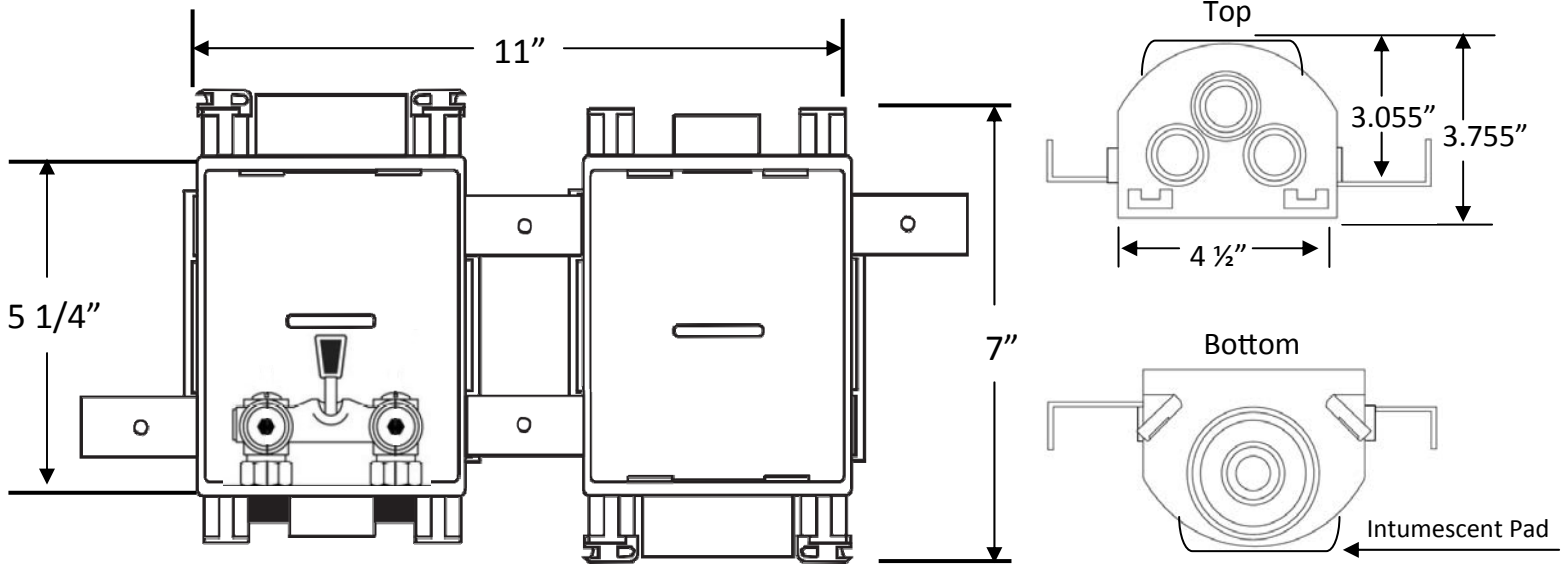




**“FR” MultiBox™, Washing Machine Outlet Box & Aux. Drain Box System with Single Lever Valve**



**Specification:**

Furnish and install fire-rated MultiBox Washing Machine Outlet Box and Auxiliary Drain Box System. Boxes may be inter-connected or installed separately. Valve box includes DWV drain to capture hose leaks, while the drain box contains 2" drain with integrated knock-out for DWV testing. Unit shall be Water-Tite product code 83321, as manufactured by IPS Corporation.

**Box/Frame Material:**

PVC & Intumescent Pad attached

**Valve:**

Single Lever Valve with Wirsbo connection.  
Valve complies with ASME A112.18.1/CSA B125.1-05.

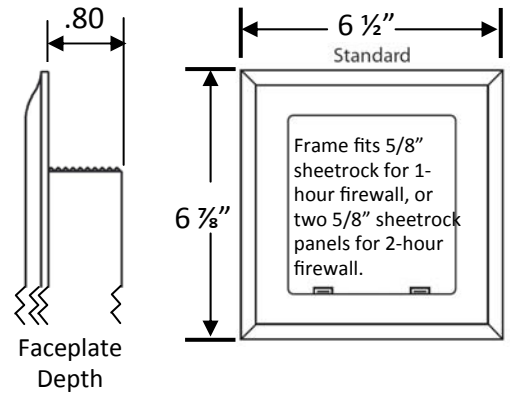
**Available Accessories:**

3 Universal Faceplates: Open, Solid and Louvered  
Stabilizer Bar

**Certifications:**



Boxes have been certified with the following ratings:  
ASTM E814, 1 Hr (F), 41 Min (T) and 2 Hr (F), 101 Min (T)  
CAN/ULC-S115-1 Hr (F/FH), 41 Min (FT/FTH) and 2 Hr (F/FH), 101 Min (FT/FTH)



✓	Product Code #	Model #	Product Description	Units/Case
<b>CONTRACTOR PACK</b>				
	83321	MBFR1211SLCP	FR Two Box WMOB System, Single Lever Valve, 1/2" Wirsbo Conx.	10

